



XHEZ.F-C-2351 Through-penetration Firestop Systems

Page Bottom

Through-penetration Firestop Systems

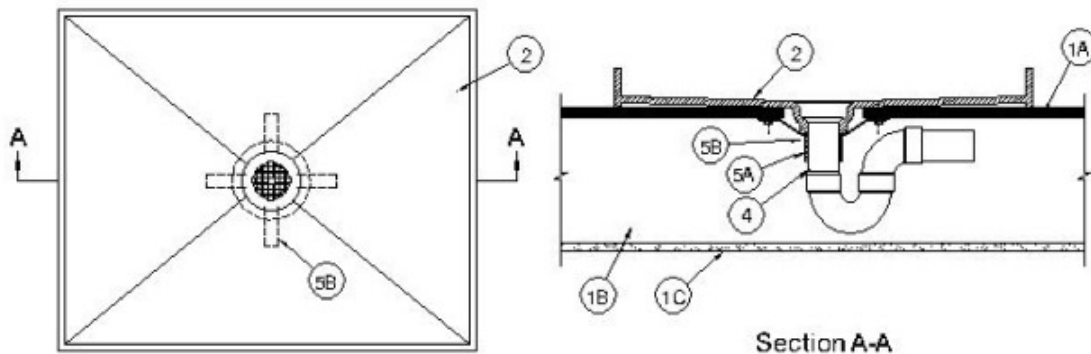
See General Information for Through-penetration Firestop Systems

System No. F-C-2351

April 18, 2007

F Rating — 1 Hr

T Rating — 1 Hr



1. Floor-Ceiling Assembly — The 1 hr fire-rated wood joist floor-ceiling assembly shall be constructed of the materials and in the manner specified in the individual L500 Designs in the UL Fire Resistance Directory, as summarized below:

A. **Flooring System** — Lumber or plywood subfloor with finish floor of lumber, plywood or **Floor Topping Mixture*** as specified in the individual Floor-Ceiling Design. Max diam of opening is 6 in. (152 mm).

B. **Wood Joists** — Nom 10 in. (254 mm) deep (or deeper) lumber, steel or combination lumber and steel joists, trusses or **Structural Wood Members*** with bridging as required and with ends firestopped.

C. **Gypsum Board*** — Thickness, type, number of layers and fasteners as required in the individual Floor-Ceiling Design.

2. Plastic Plumbing Fixtures+ - Shower Base Receptor — One-piece molded nonmetallic shower base receptor with stainless steel drain plate. Shower base receptor to be installed in accordance with the manufacturer's instructions.

TILE-REDI LTD — Model 3360L, 3360R, 37NEO, 3737, 4837, 4837ADA, 4837MB or 4848

3. Tile — (Not Shown) - Ceramic or stone tile applied to shower pan floor with epoxy adhesive in accordance with shower base receptor installation instructions.

4. Nonmetallic Pipe — Nom 2 in. (51 mm) diam Schedule 40 solid or cellular core PVC pipe solvent-welded into drain in the bottom of the shower base receptor and centered in the floor opening.

5. Firestop System — The details of the firestop system shall be as follows:

A. **Fill, Void or Cavity Materials* - Wrap Strip** — Nom 1/8 in. (3.2 mm) thick intumescent

material supplied in 2 in. (51 mm) wide strips. Single layer of wrap strip tightly wrapped around nonmetallic drain pipe (Item 4) with a butted seam and with the top edge of the wrap strip abutting the hub of the shower drain. Wrap strip layer temporarily held in position using tape.

3M COMPANY — Ultra GS

B. Steel Collar — Nom 2 in. (51 mm) deep collar with 1-1/4 in. (32 mm) wide by 2 in. (51 mm) long anchor tabs and tabs to retain wrap strip layer. Coils of precut 0.016 in. (0.41 mm) thick (28 gauge) galv sheet steel available from wrap strip manufacturer. Steel collar, with anchor tabs bent outward 90 deg, wrapped tightly around wrap strip with min 1 in. (25 mm) overlap at seam. Anchor tabs to be pressed tightly against hub of shower drain and collar to be compressed around wrap strip using a min 1/2 in. (13 mm) wide stainless steel clamp at the collar midheight. Collar to be secured to underside of flooring system with steel screws with min 1-1/4 in. (32 mm) diam steel washers in conjunction with steel extension straps. Hanger tab extension straps to be fabricated from min 0.022 in. (0.6 mm) thick galv sheet steel. Taper straps from 1/4 in. (6 mm) wide to 1 in. (25 mm) wide with sufficient length to allow 1-1/2 to 2 in. (38 to 51 mm) lap onto floor. Straps secured to collar by inserting min 1 in. (25 mm) length of 1/4 in. (6 mm) wide end into hole on mounting tab and bending 180 degrees. Min of two anchor screws, diametrically opposed, are required.

*Bearing the UL Classification Mark

Last Updated on 2007-04-18

[Questions?](#)

[Notice of Disclaimer](#)

[Page Top](#)

Copyright © 2007 Underwriters Laboratories Inc.®

The appearance of a company's name or product in this database does not in itself assure that products so identified have been manufactured under UL's Follow-Up Service. Only those products bearing the UL Mark should be considered to be Listed and covered under UL's Follow-Up Service. Always look for the Mark on the product.

UL permits the reproduction of the material contained in the Online Certification Directory subject to the following conditions: 1. The Guide Information, Designs and/or Listings (files) must be presented in their entirety and in a non-misleading manner, without any manipulation of the data (or drawings). 2. The statement "Reprinted from the Online Certifications Directory with permission from Underwriters Laboratories Inc." must appear adjacent to the extracted material. In addition, the reprinted material must include a copyright notice in the following format: "Copyright © 2007 Underwriters Laboratories Inc.®"

An independent organization working for a safer world with integrity, precision and knowledge.

