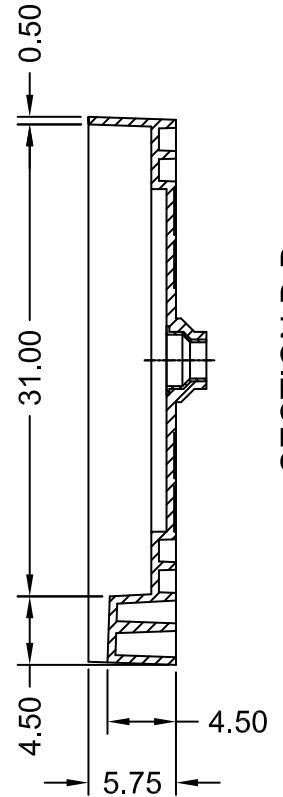
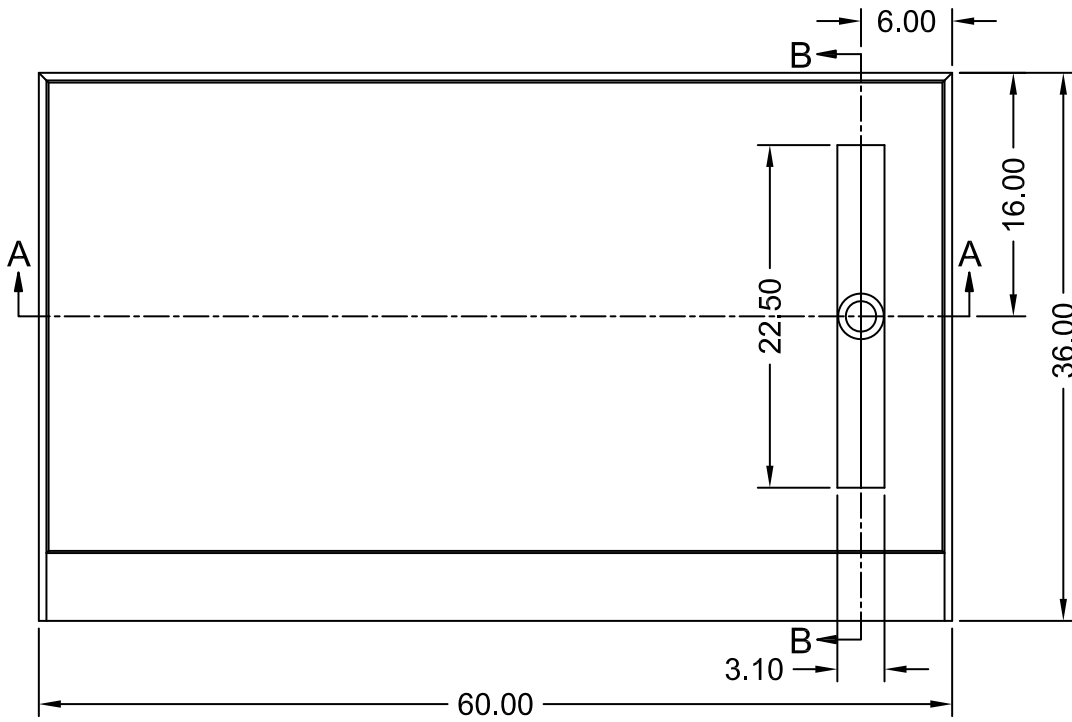
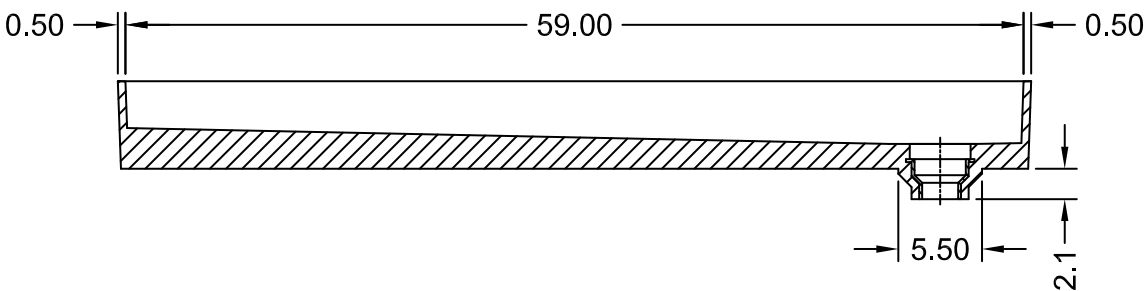


(Not to scale)



SECTION B-B



SECTION A-A

Solid surface panel will be pitched and adhered to the shower pan.

| | | |
|--|--------------------|--------------|
| | ANSI Z124.1-95 | ASTM F462-79 |
| | ANSI Z124.2-95 | B45.0-02 |
| | ICC/ANSI A117.1.98 | B45.5-02 |

Toll Free 800.232.6156 techsupport@tileredi.com
 Tel: 954.323.0125
 Fax: 954.344.8064 www.tileredi.com



2023.05.12