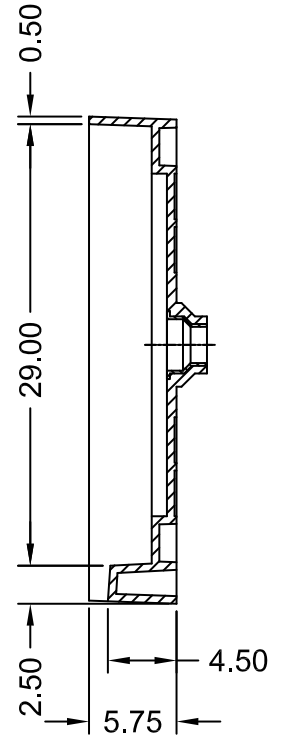
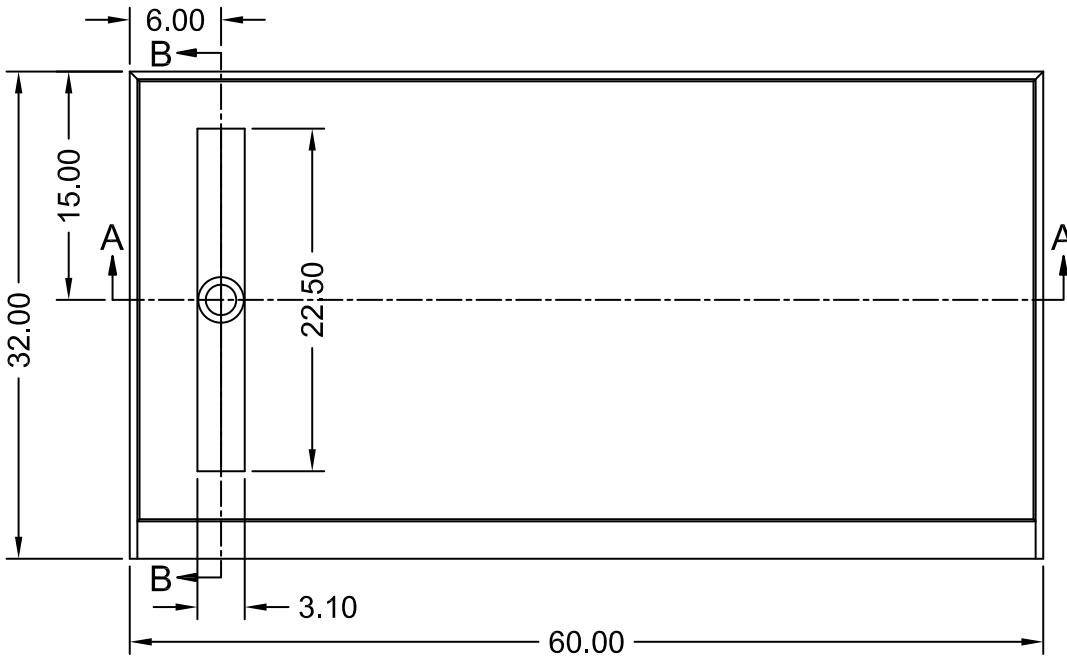
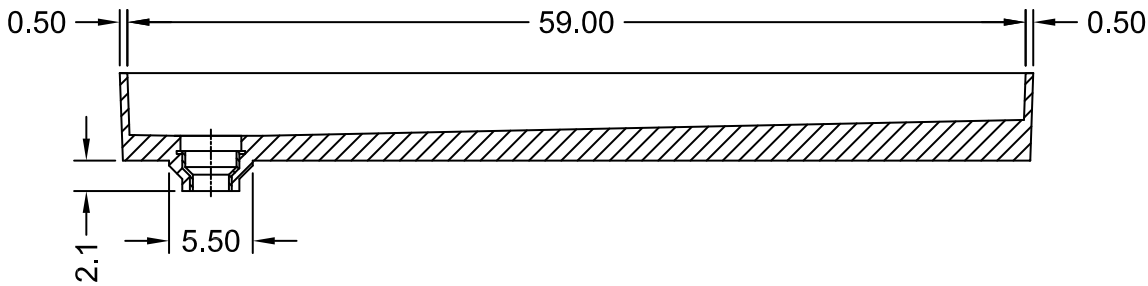


(Not to scale)



SECTION B-B



SECTION A-A

Solid surface panel will be pitched and adhered to the shower pan.

	ANSI Z124.1-95	ASTM F462-79
	ANSI Z124.2-95	B45.0-02
	ICC/ANSI A117.1-98	B45.5-02

Toll Free 800.232.6156 techsupport@tileredi.com  
 Tel: 954.323.0125  
 Fax: 954.344.8064 www.tileredi.com



2023.05.12