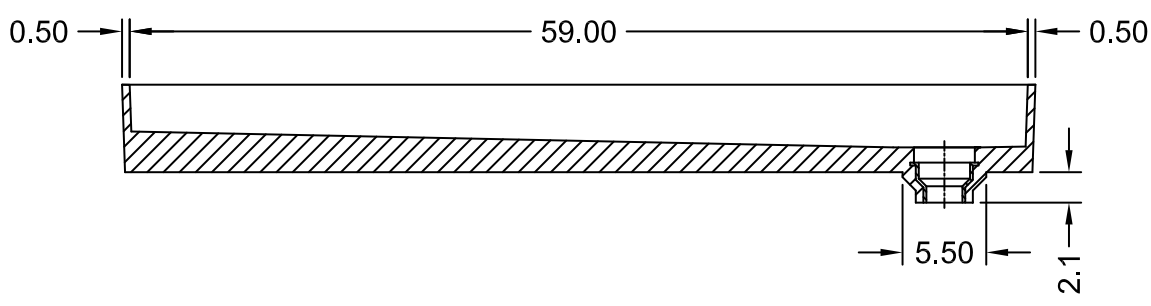
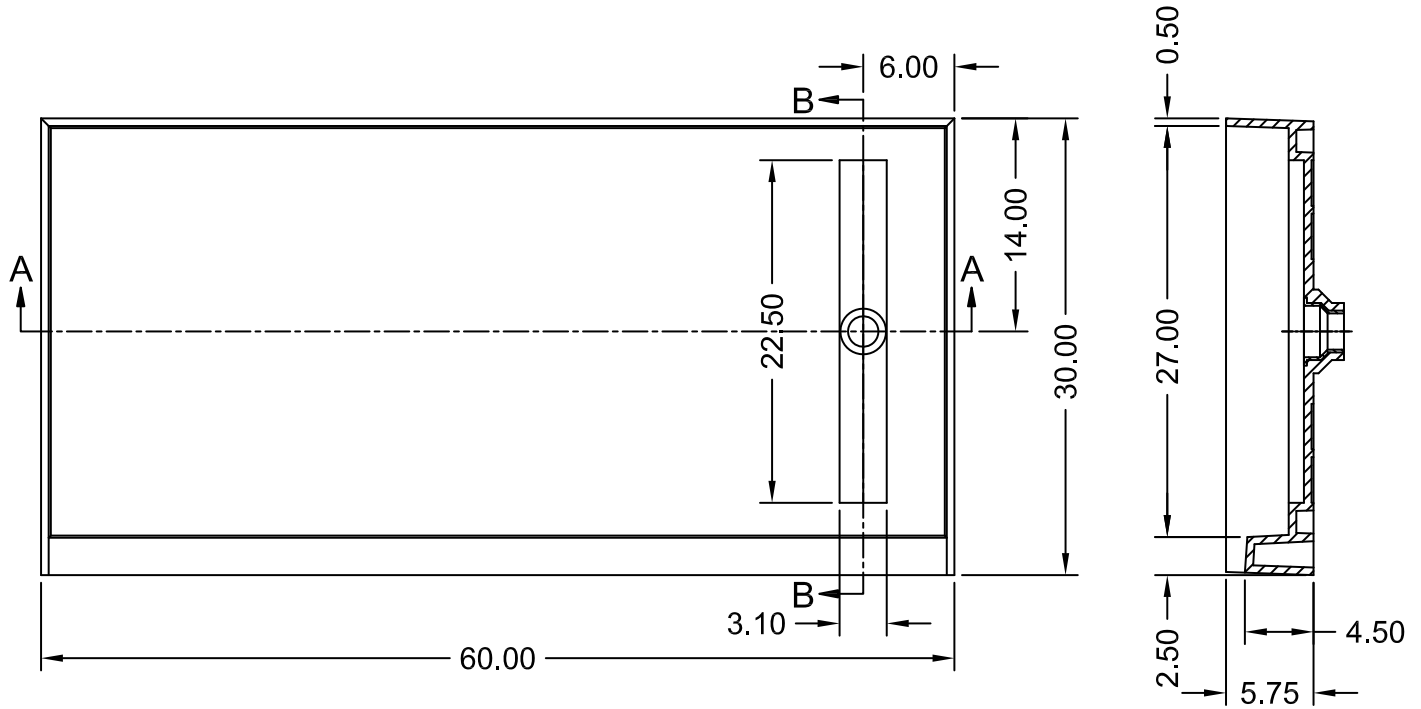


(Not to scale)



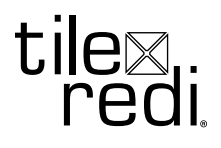
**SECTION A-A**

**SECTION B-B**

Solid surface panel will be pitched and adhered to the shower pan.

	ANSI Z124.1-95	ASTM F462-79
	ANSI Z124.2-95	B45.0-02
	ICC/ANSI A117.1.98	B45.5-02

Toll Free	800.232.6156	techsupport@tileredi.com
Tel:	954.323.0125	
Fax:	954.344.8064	www.tileredi.com



2023.05.12