

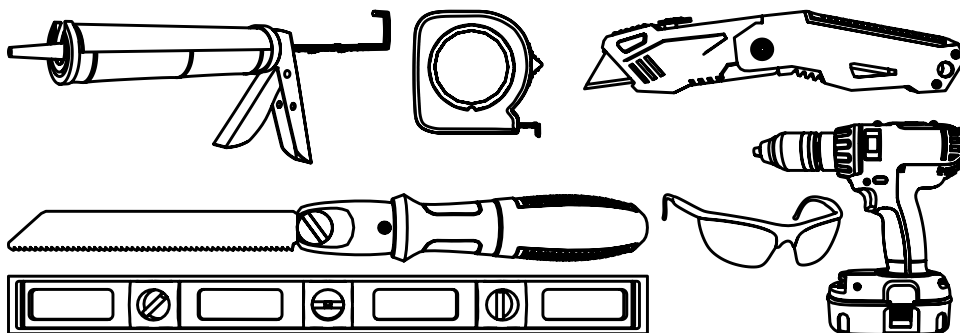
# redi NICHE®

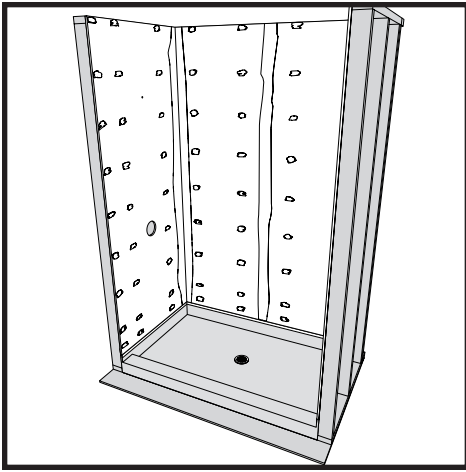


## REDI NICHE® - INSTALLATION INSTRUCTIONS

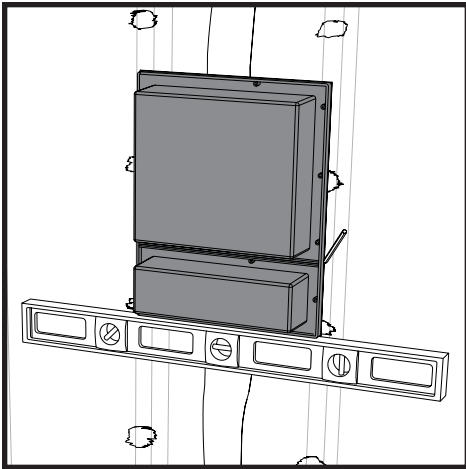
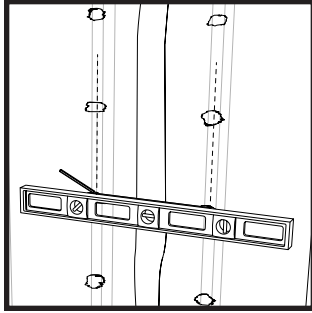


### TOOLS REQUIRED

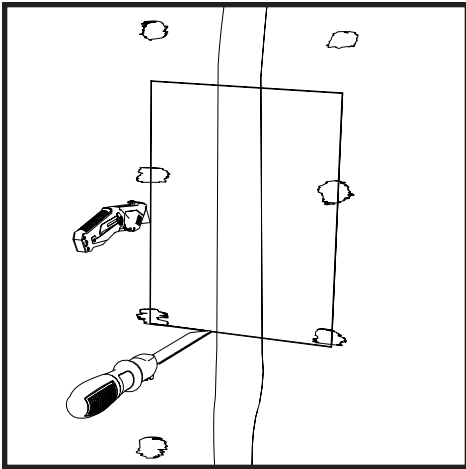




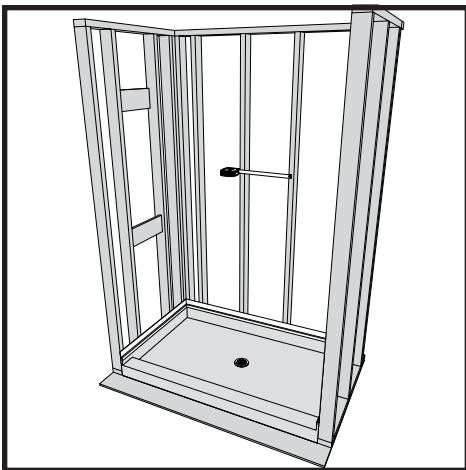
1. If framing Redi Niche into an existing finished wall (if new construction, skip to Step 2), first locate and mark the center of adjacent framing studs using a stud finder or by tapping the wall. Draw a level line between the two wall studs.



a. Place the niche between the two marked studs with the flange walls flush against the wall and trace the outline of the niche on the wall. Be sure the top and bottom lines are level.

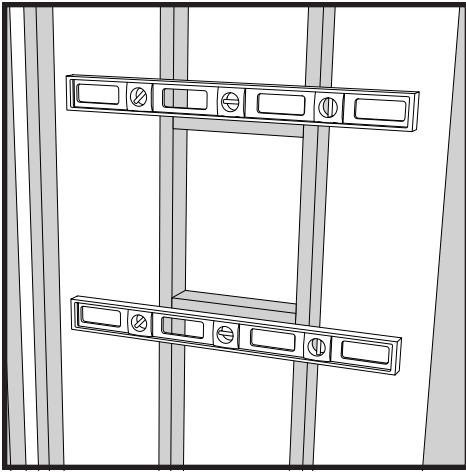


b. Cut out the wall board along the traced lines between the two studs using a drywall saw and utility knife.

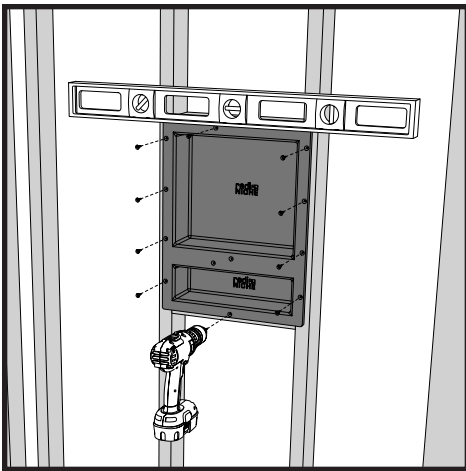


2. Measure the distance between vertical studs. (Please note that the distance between the center lines of 2 adjacent studs generally is 16 inches and the niche is designed for that condition.)

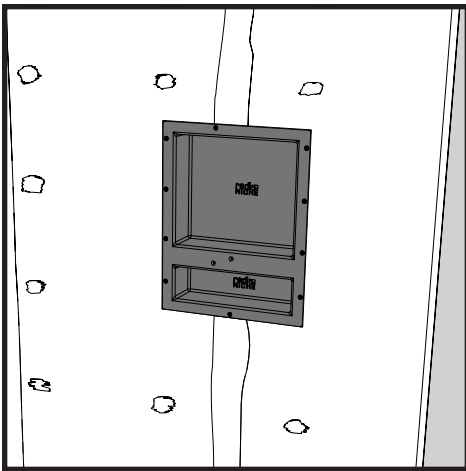
If the distance is greater than 16 inches, attach vertical framing to one or both of the vertical studs to accommodate the size of the niche.



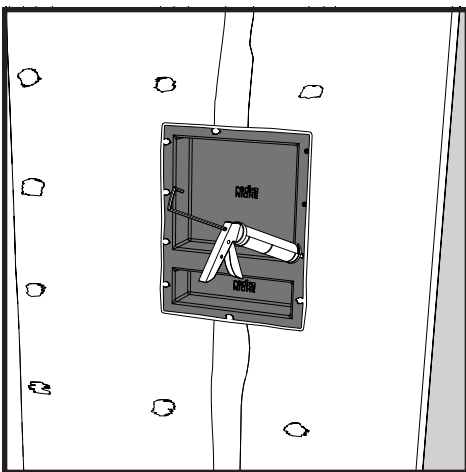
3. Measure and cut top and bottom horizontal support framing to a length which permits each to run between and to be fastened to both vertical studs. Level and mechanically fasten the top and bottom horizontal support brackets to both adjacent vertical studs so that the vertical dimension between the horizontal support framing matches the vertical dimension of the pre-drilled fastening holes on the Redi Niche flange.



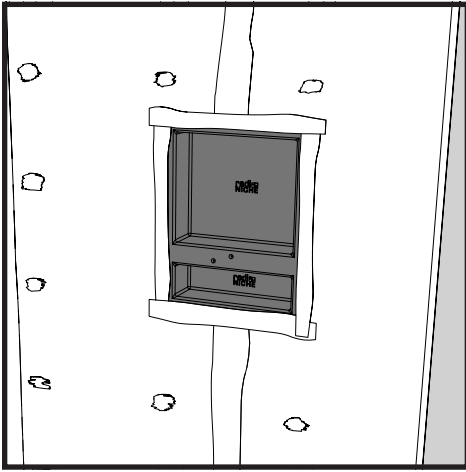
4. Level and mechanically fasten the Redi Niche using one framing screw in each pre-drilled.



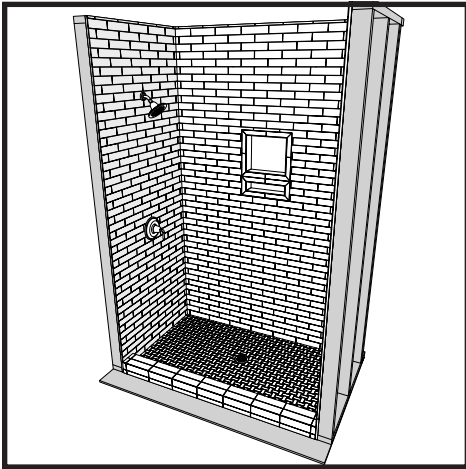
5. Install your drywall or tile backer board around the Redi Niche so it's in accordance with industry standards.



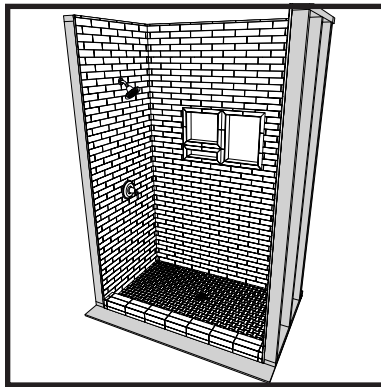
6. Neatly apply 100% waterproofing silicone to cover each screw head and to fill the gap between the niche flange and the adjacent shower board.



7. Then apply a liquid applied waterproofing membrane to all four niche flanges and covering at least 1 inch of the adjacent tile backer board



8. Now apply your setting material and set your tile, marble or stone directly to Redi Niche surface.



Working with one of our double, triple, or quadruple combination models? Simply place your additional niche(s) directly beside, above or below each other. We recommend you complete framing for all niches before beginning to screw any in.

436 East 36th Street, Charlotte, NC 28205  
800.232.6156 | sales@tileredi.com

[www.tileredi.com](http://www.tileredi.com)

Tile Redi® trademarks and logos are owned by and the Intellectual Property of Tile Redi, LLC.  
©2023 Tile Redi, LLC. All Rights Reserved.

PATENT: [www.TileRedi.com/PatentMarkings](http://www.TileRedi.com/PatentMarkings)