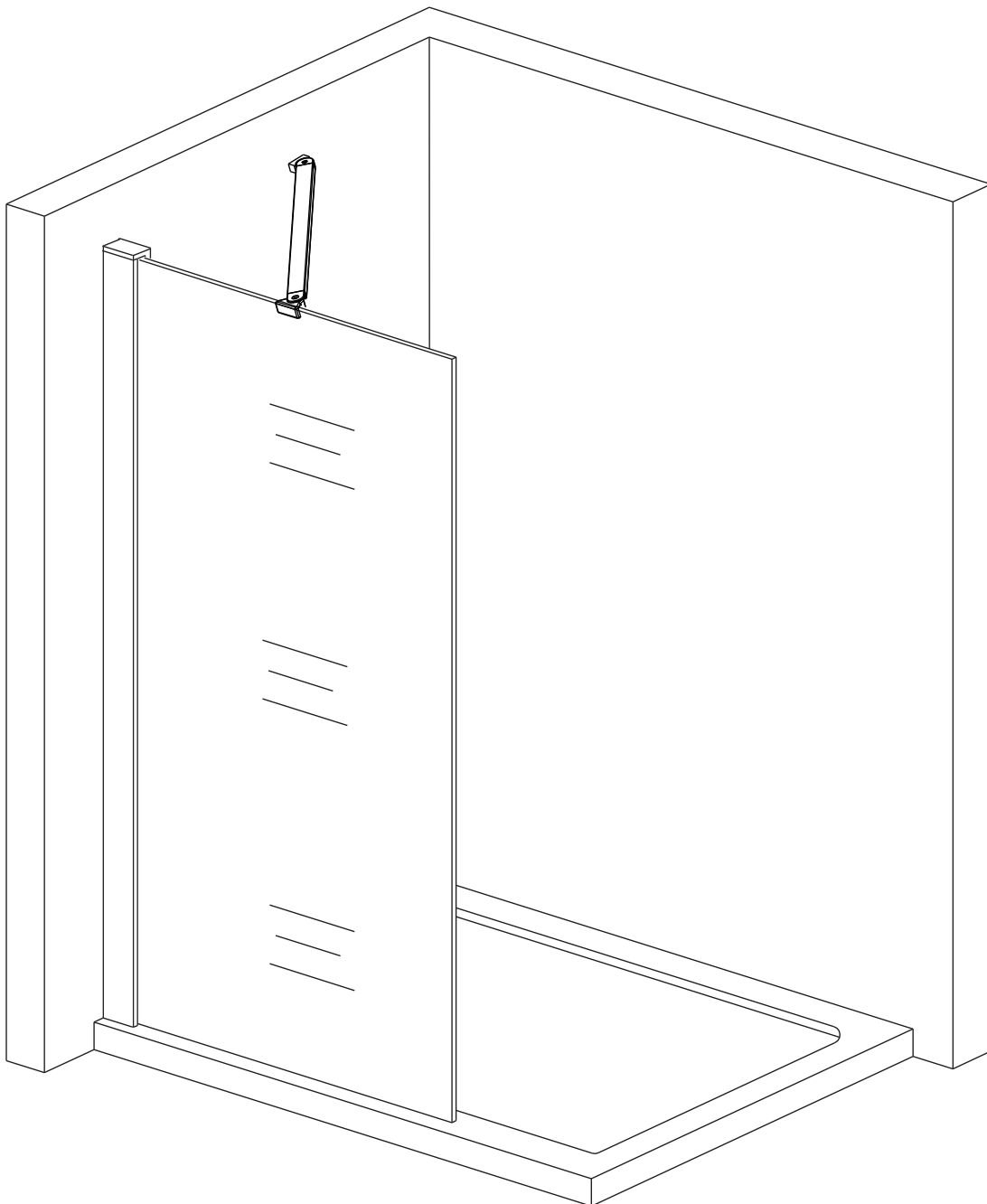


SERIES: 5400

CONFIGURATION: Panel



Safety Notes

- This unit is best installed by two people.
- Handle the glass panels carefully and protect the edges. Safety tempered glass is very resistant to breakage, but the sharp corners of the panels can damage tile and flooring surfaces.
- The glass can break if unequal pressure is applied during installation.
- Please wear safety glasses whenever drilling or cutting. When drilling holes in ceramic tile or marble, use a center punch and hammer to carefully break the glazed surface to prevent skidding when drilling.

NOTE: Tempered glass cannot be cut.

Installation Notes

- This unit may be installed on walls without proper blocking, including fiberglass and acrylic walls. Proper use of the described anchors and silicone is required.
- If blocking is available for installation, DO NOT use wall inserts. Screw directly into the wooden blocking.
- Use caution to not pierce plumbing or electric lines while installing door hardware.
- Cover the drain with tape prior to installation to prevent loss of small parts.
- Unpack your unit carefully and inspect for freight damage. Lay out and identify all parts using the installation instructions as a reference. Before discarding the carton, check to see that no small hardware parts have fallen to the bottom of the box. If any parts are damaged or missing, refer to the description noted in the instructions when contacting your dealer for replacements.

Cleaning & Maintenance

Clean the small components regularly to prevent the drain from getting clogged. Regularly clean the shower enclosure using a non abrasive sponge and mild detergent.

Do not use scouring agents to clean the hardware or glass, since they can damage the unit and this damage is not covered under Tile Redi's limited warranty.

After the installation is completed, if you find the door is not opening silently and smoothly, you may add a small amount of lubricant onto the roller wheel and track.

Redi Door® reserves the right to change, modify or redesign products at any time without prior notice in order to improve the product functionality, design and/or customer service. Please refer to the product's web page on www.tileredi.com for the latest product specs, installation manuals, warranty information or additional product details.

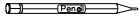
Questions?

Please call Redi Door Customer Support: 800-648-9212

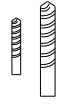
Hours of Operation: M-F 8:00 AM - 5:00 PM EST

Email: redidoor@tileredi.com

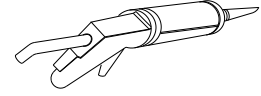
TOOLS REQUIRED



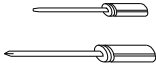
PENCIL



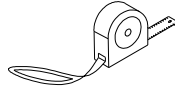
DRILL BIT (Ø 1/8", Ø 1/4")



SILICONE & GUN



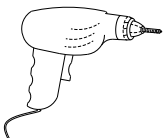
FLAT & PHILLIPS HEAD
SCREWDRIVERS



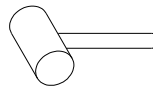
TAPE MEASURE



LEVEL



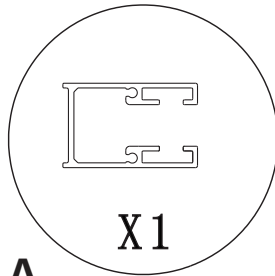
ELECTRIC DRILL



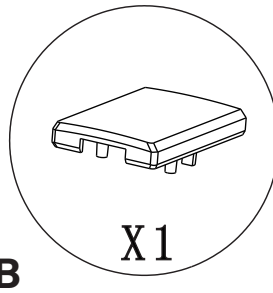
RUBBER HAMMER

PACKING LIST

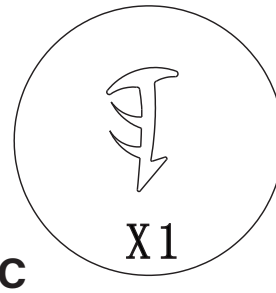
Side Rail



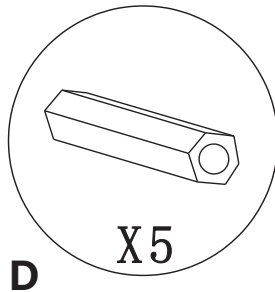
Top Rail Cap



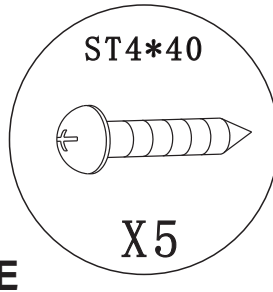
Panel Side Strip



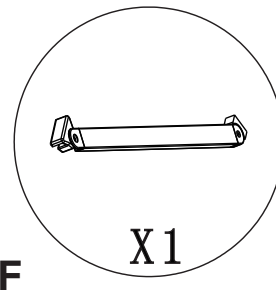
Anchors



Screws



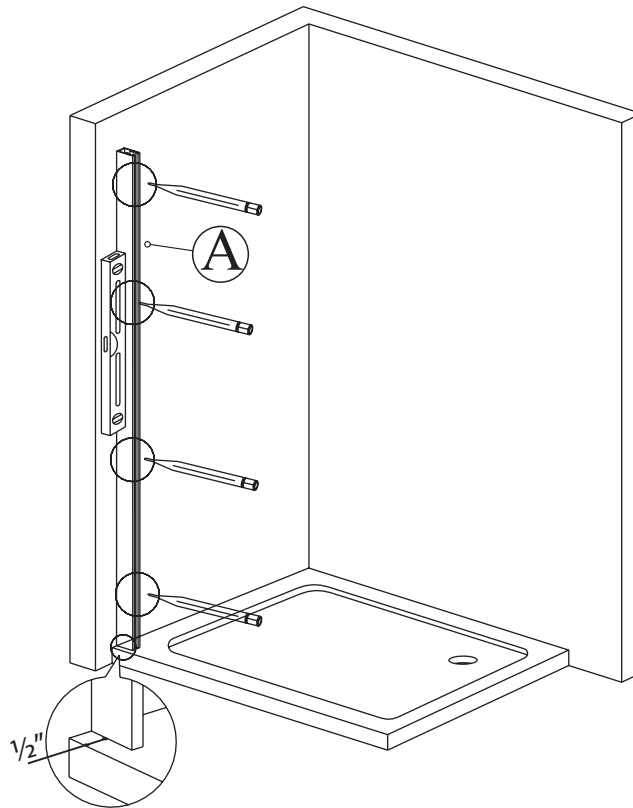
Support Bar



PRODUCT SCHEMATIC DIAGRAM

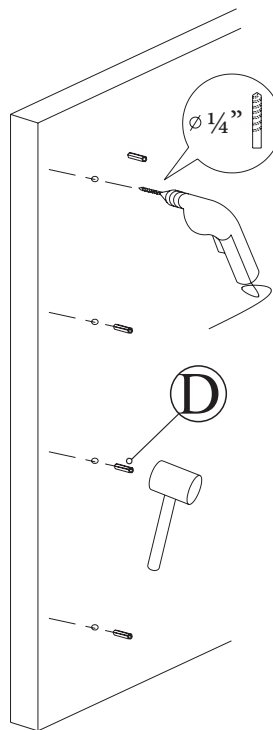


1



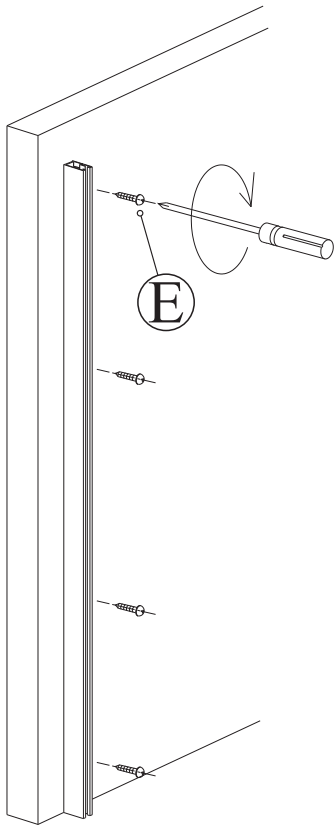
Place your side rail (A) against your desired wall. After confirming your position with a level, mark your wall through the frames pre-drilled holes. Your side rail should be placed a minimum of 1/2" from the edge of your shower pan.

2

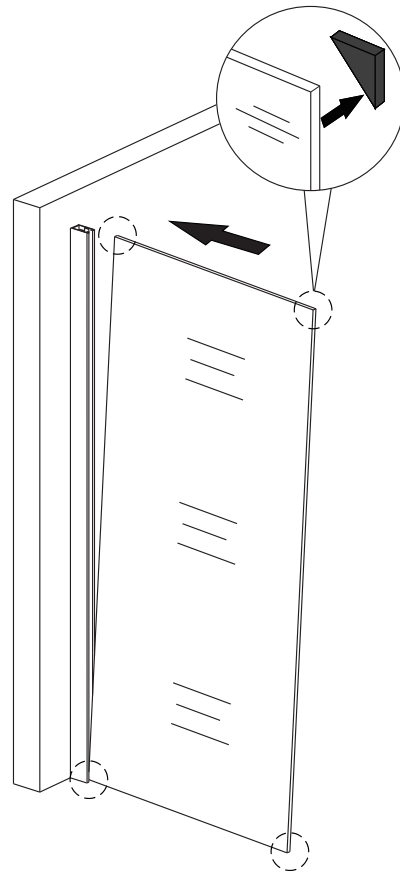


Remove your side rail from the shower enclosure and drill into your pre-marked holes. Insert anchors (D) into the wall using a rubber mallet.

3



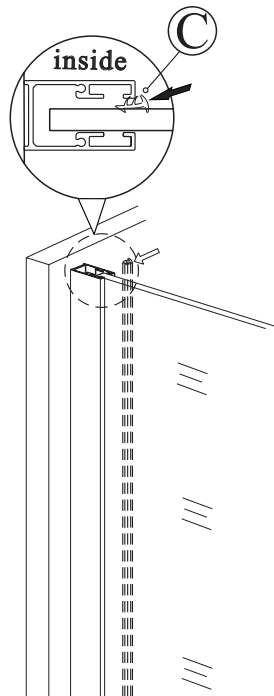
4



Now place your side rail (A) back into your shower enclosure and screw your frame into place using the provided screws (E).

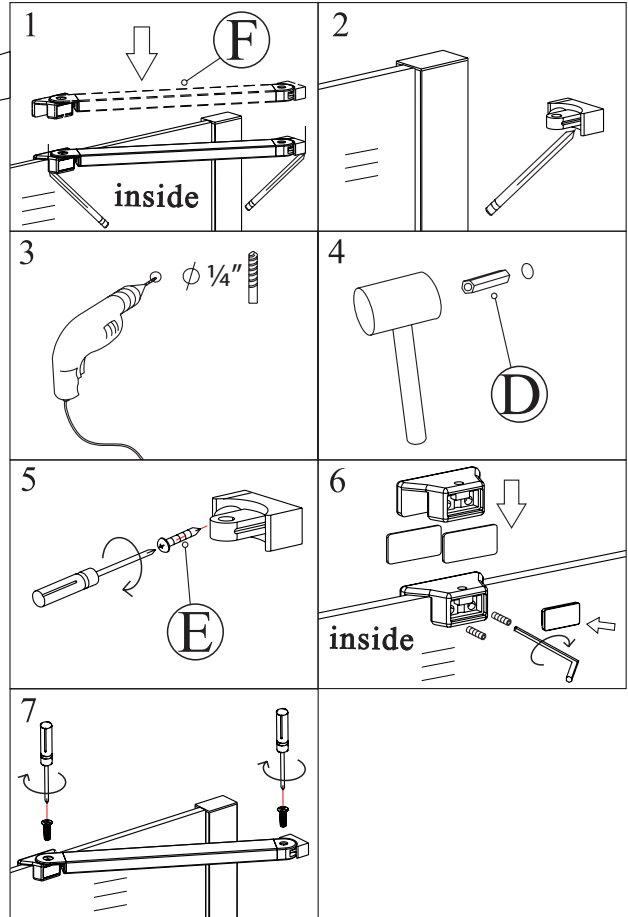
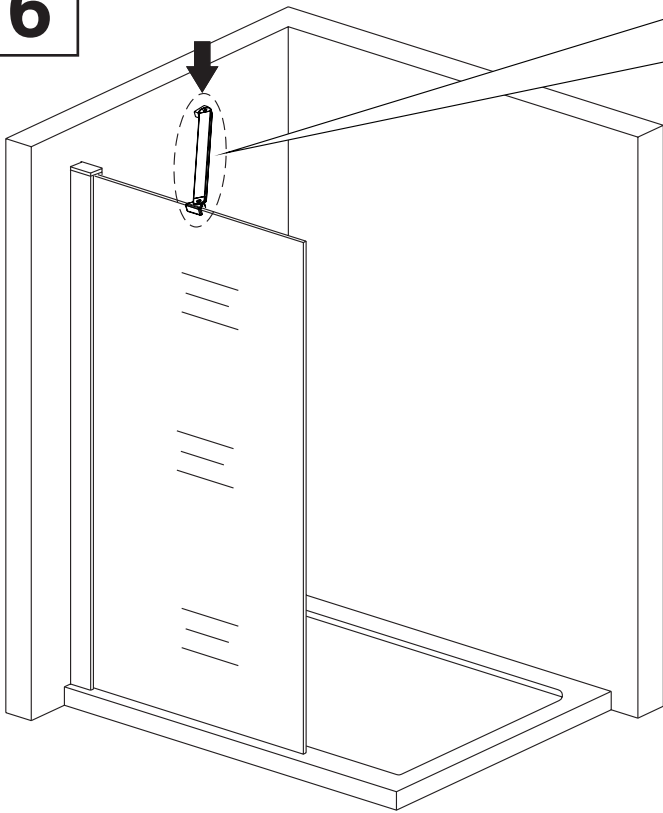
To protect the glass please make sure to leave the corner protectors until after the item has been installed.

5



Wedge the Panel Side Strip (C) along the inside of the Side Rail securing the glass panel in place.

6



To install, find the Support Bar (F) loosen the Support Bar Screws and dry fit the Support Bar assembly as shown. Take the Wall Mount side and make it flush against the wall. Mark the locations of the Panel Mount and the Wall Mount, and then remove the Support Bar assembly.

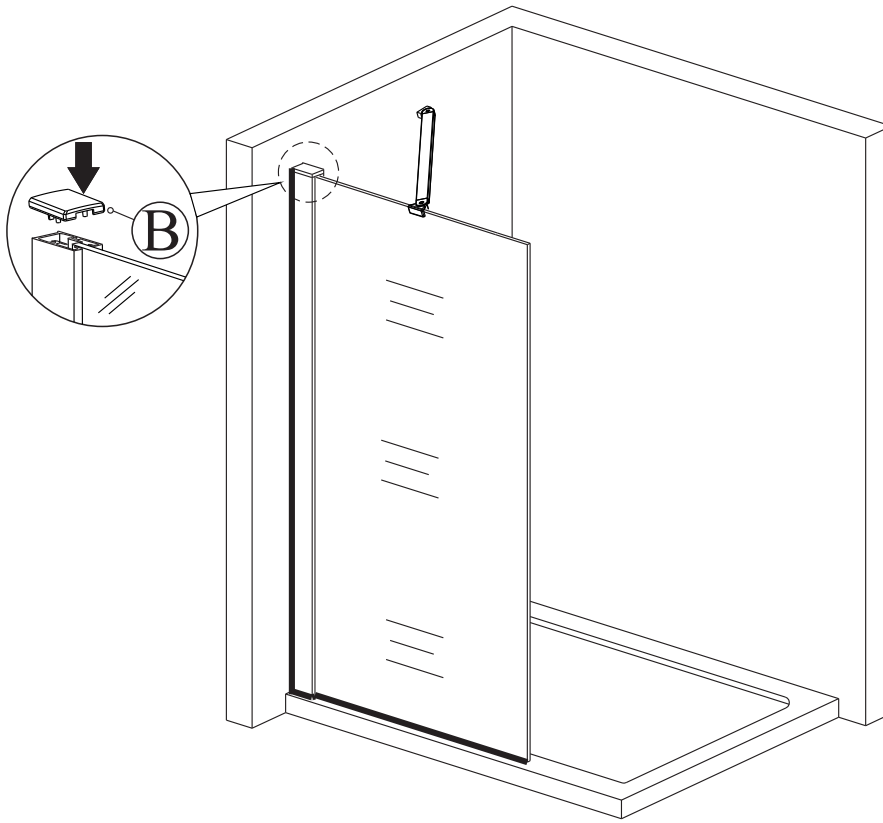
Using the Wall Mount, mark the location of the pre-drilled holes on your support wall. Drill the holes using a $1/4''$ drill bit.

Place wall anchors into the holes and proceed to screw the Wall Mount into place.

Remove the Panel Mount and place one end of the Support Bar into the Wall Mount. Slide the Panel Mount onto the Support Bar and position the angle adjuster so it fits onto the panel.

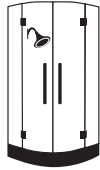
Finally, tighten all screws.

7



Proceed to install the Top Rail Cap (B) as illustrated.

Apply some silicone to the outside edge of the shower enclosure (between the wall profiles and wall, and between the frame and the shower pan) to ensure a waterproof seal. After installation, allow 24 hours for silicone to cure before being used.

redi 
DOOR®

tile 
redi®

4450 NW 126 Avenue, Suite 101, Coral Springs, FL 33065
800-648-9212 | sales@tileredi.com

www.tileredi.com

Tile Redi® and Redi Door® trademarks and logos are owned by and the Intellectual Property of Tile Redi, LLC.
©2021 Tile Redi, LLC. All Rights Reserved.