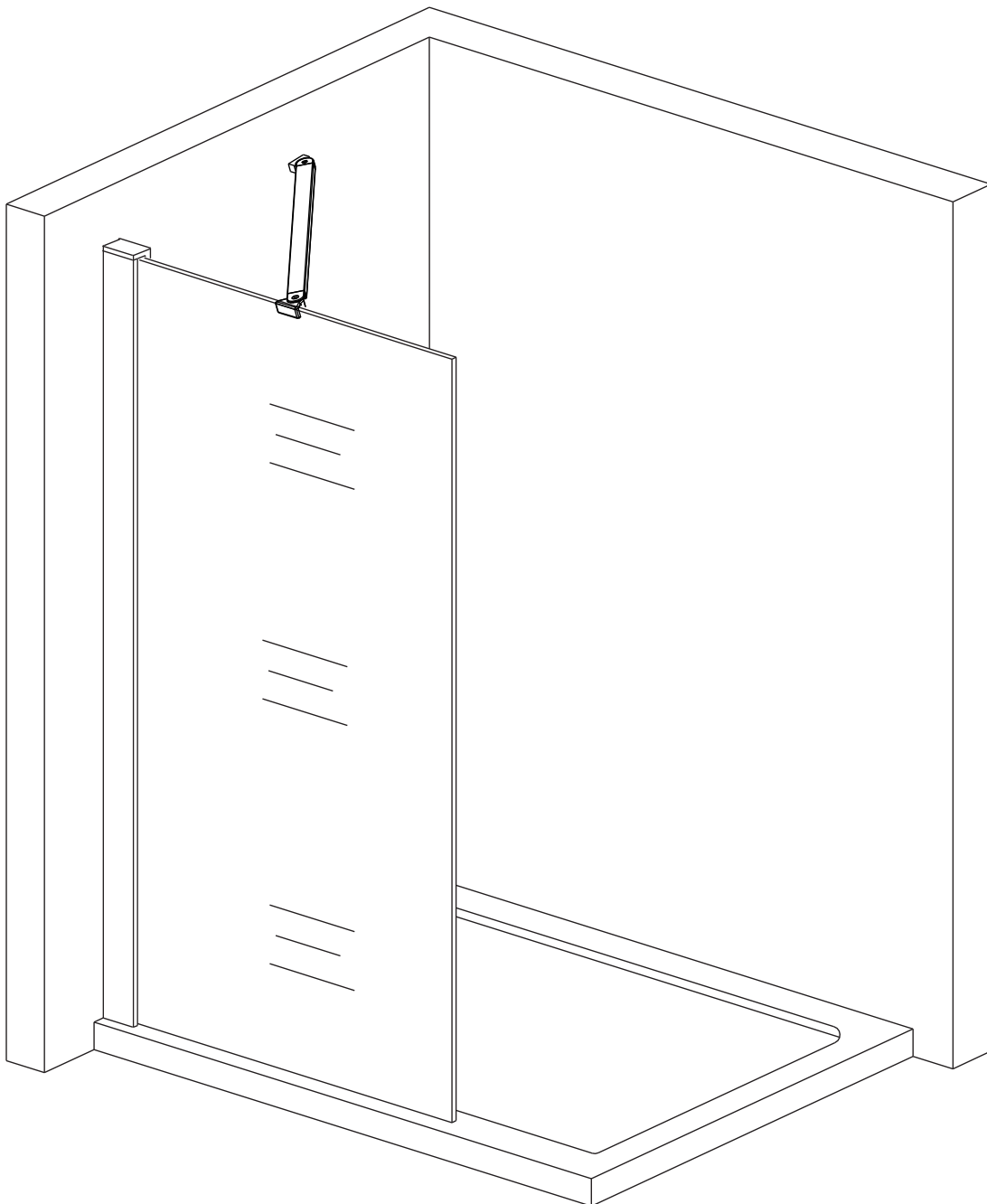


SERIES: 5400

CONFIGURATION: Panel



### **Safety Notes**

- This unit is best installed by two people.
- Handle the glass panels carefully and protect the edges. Safety tempered glass is very resistant to breakage, but the sharp corners of the panels can damage tile and flooring surfaces.
- The glass can break if unequal pressure is applied during installation.
- Please wear safety glasses whenever drilling or cutting. When drilling holes in ceramic tile or marble, use a center punch and hammer to carefully break the glazed surface to prevent skidding when drilling.

**NOTE:** Tempered glass cannot be cut.

### **Installation Notes**

- This unit may be installed on walls without proper blocking, including fiberglass and acrylic walls. Proper use of the described anchors and silicone is required.
- If blocking is available for installation, DO NOT use wall inserts. Screw directly into the wooden blocking.
- Use caution to not pierce plumbing or electric lines while installing door hardware.
- Cover the drain with tape prior to installation to prevent loss of small parts.
- Unpack your unit carefully and inspect for freight damage. Lay out and identify all parts using the installation instructions as a reference. Before discarding the carton, check to see that no small hardware parts have fallen to the bottom of the box. If any parts are damaged or missing, refer to the description noted in the instructions when contacting your dealer for replacements.

### **Cleaning & Maintenance**

Clean the small components regularly to prevent the drain from getting clogged. Regularly clean the shower enclosure using a non abrasive sponge and mild detergent.

Do not use scouring agents to clean the hardware or glass, since they can damage the unit and this damage is not covered under Tile Redi's limited warranty.

After the installation is completed, if you find the door is not opening silently and smoothly, you may add a small amount of lubricant onto the roller wheel and track.

Redi Door® reserves the right to change, modify or redesign products at any time without prior notice in order to improve the product functionality, design and/or customer service. Please refer to the product's web page on [www.tileredi.com](http://www.tileredi.com) for the latest product specs, installation manuals, warranty information or additional product details.

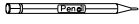
### **Questions?**

Please call Redi Door Customer Support: 800-648-9212

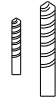
Hours of Operation: M-F 8:00 AM - 5:00 PM EST

Email: [redidoor@tileredi.com](mailto:redidoor@tileredi.com)

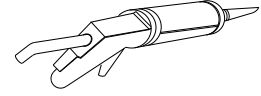
# TOOLS REQUIRED



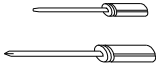
PENCIL



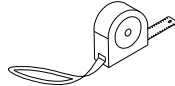
DRILL BIT (Ø3MM, Ø6MM)



SILICONE & GUN



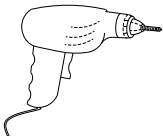
FLAT & PHILLIPS HEAD  
SCREWDRIVERS



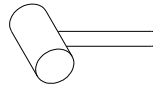
TAPE MEASURE



LEVEL



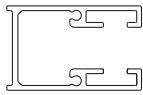
ELECTRIC DRILL



RUBBER HAMMER

# PACKING LIST

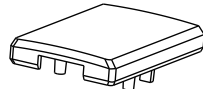
B-268



X1

**A**

I-369



X1

**B**

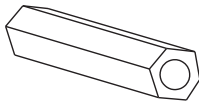
C-022



X1

**C**

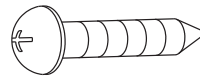
I-040



X5

**D**

ST4\*40



X5

**E**

F-103

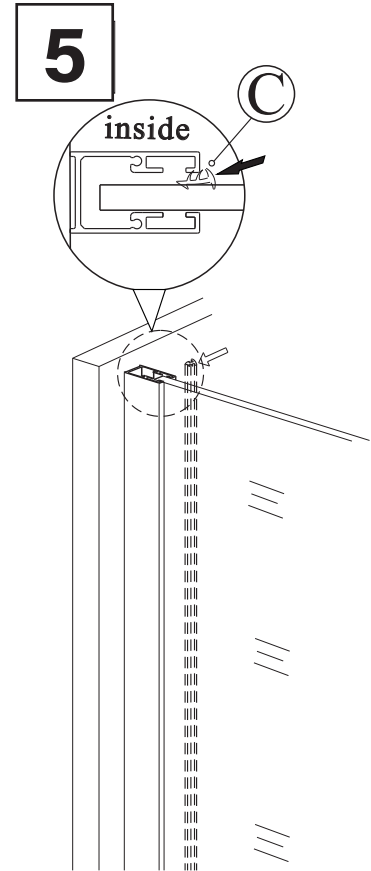
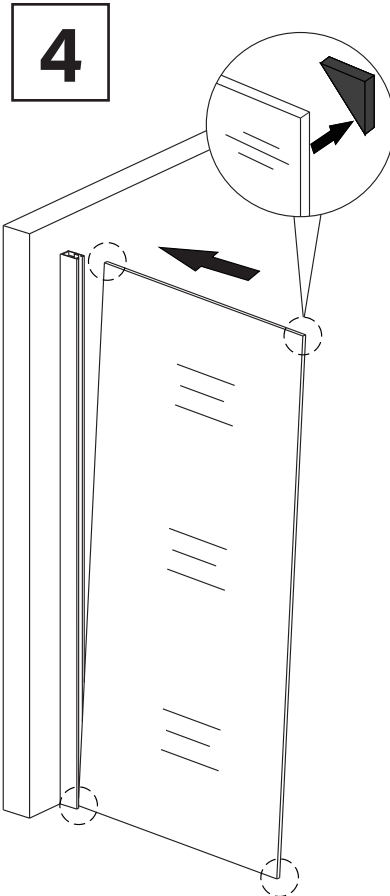
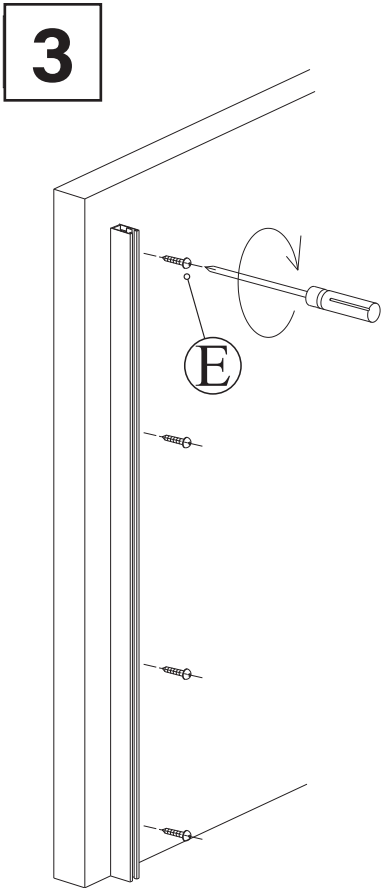
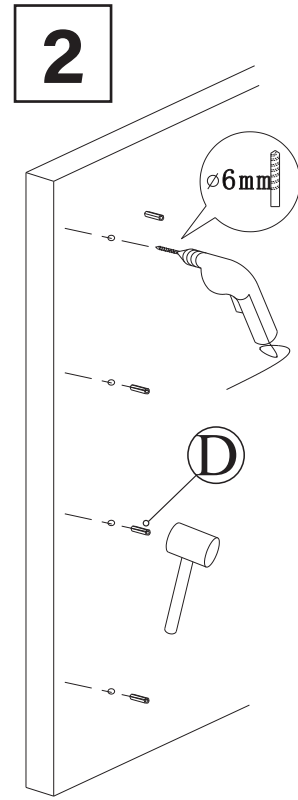
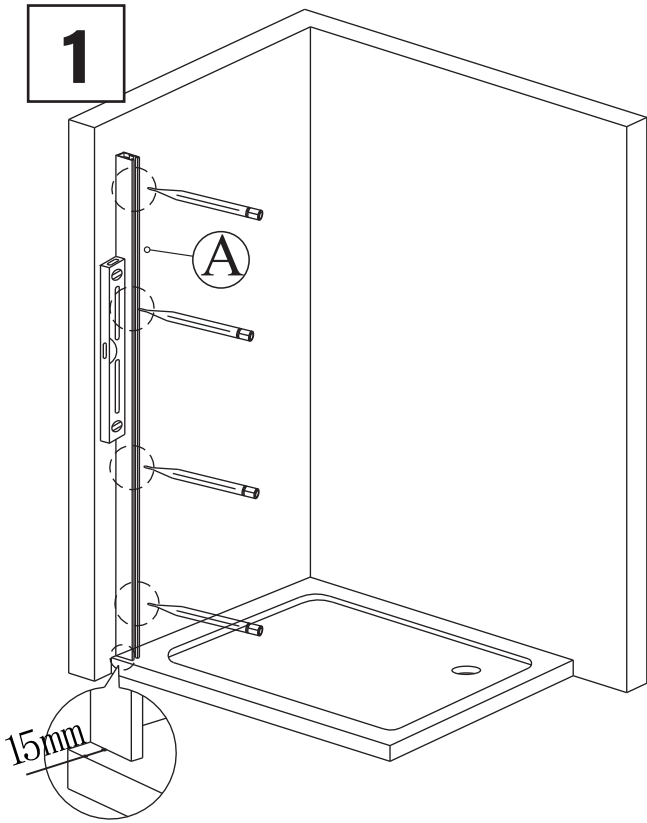


X1

**F**

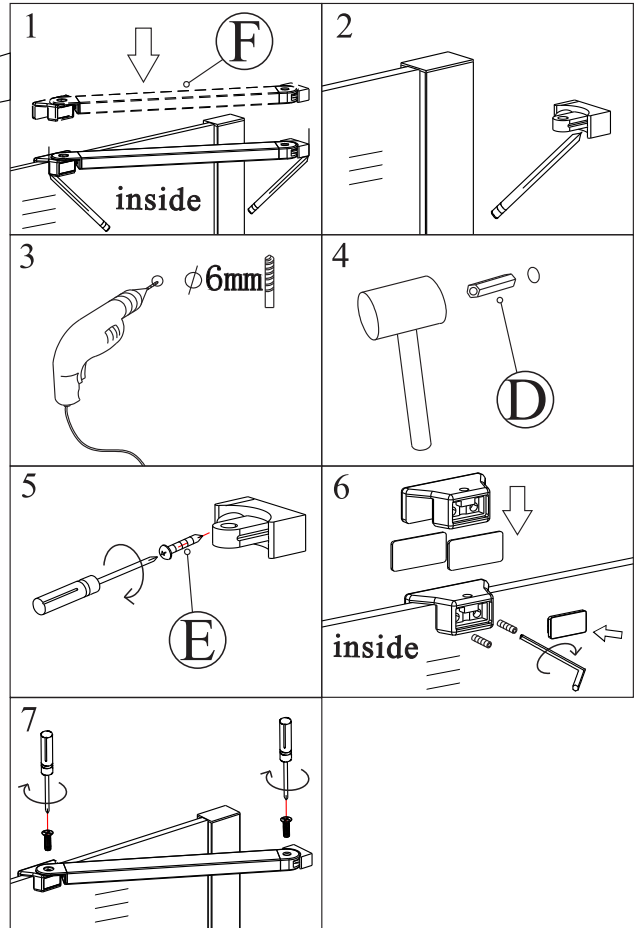
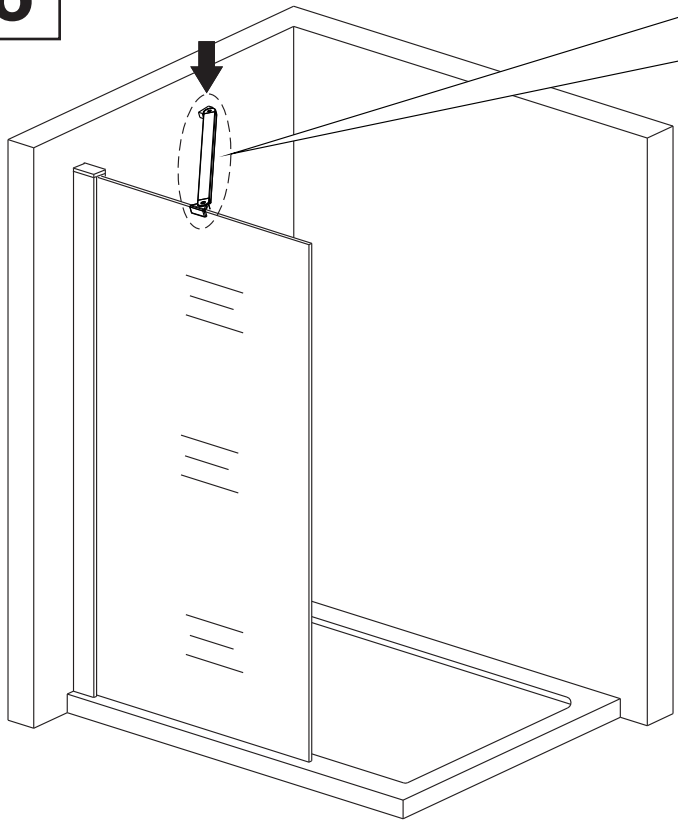
# PRODUCT SCHEMATIC DIAGRAM



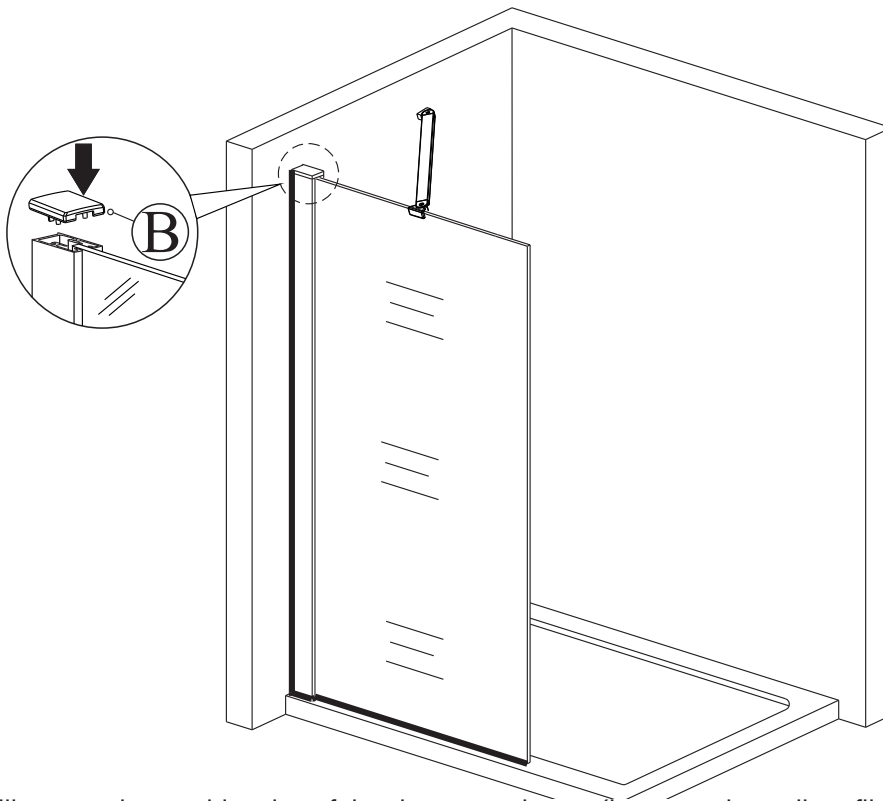


To protect the glass please make sure to leave the corner protectors until after the item has been installed.

**6**



**7**



Apply some silicone to the outside edge of the shower enclosure (between the wall profiles and wall, and between the frame and the shower pan) to ensure a waterproof seal. After installation, allow 24 hours for silicone to cure before being used.

redi   
DOOR®

---

tile   
redi®

4450 NW 126 Avenue, Suite 101, Coral Springs, FL 33065  
800-648-9212 | sales@tileredi.com

[www.tileredi.com](http://www.tileredi.com)

Tile Redi® and Redi Door® trademarks and logos are owned by and the Intellectual Property of Tile Redi, LLC.  
©2019 Tile Redi, LLC. All Rights Reserved.