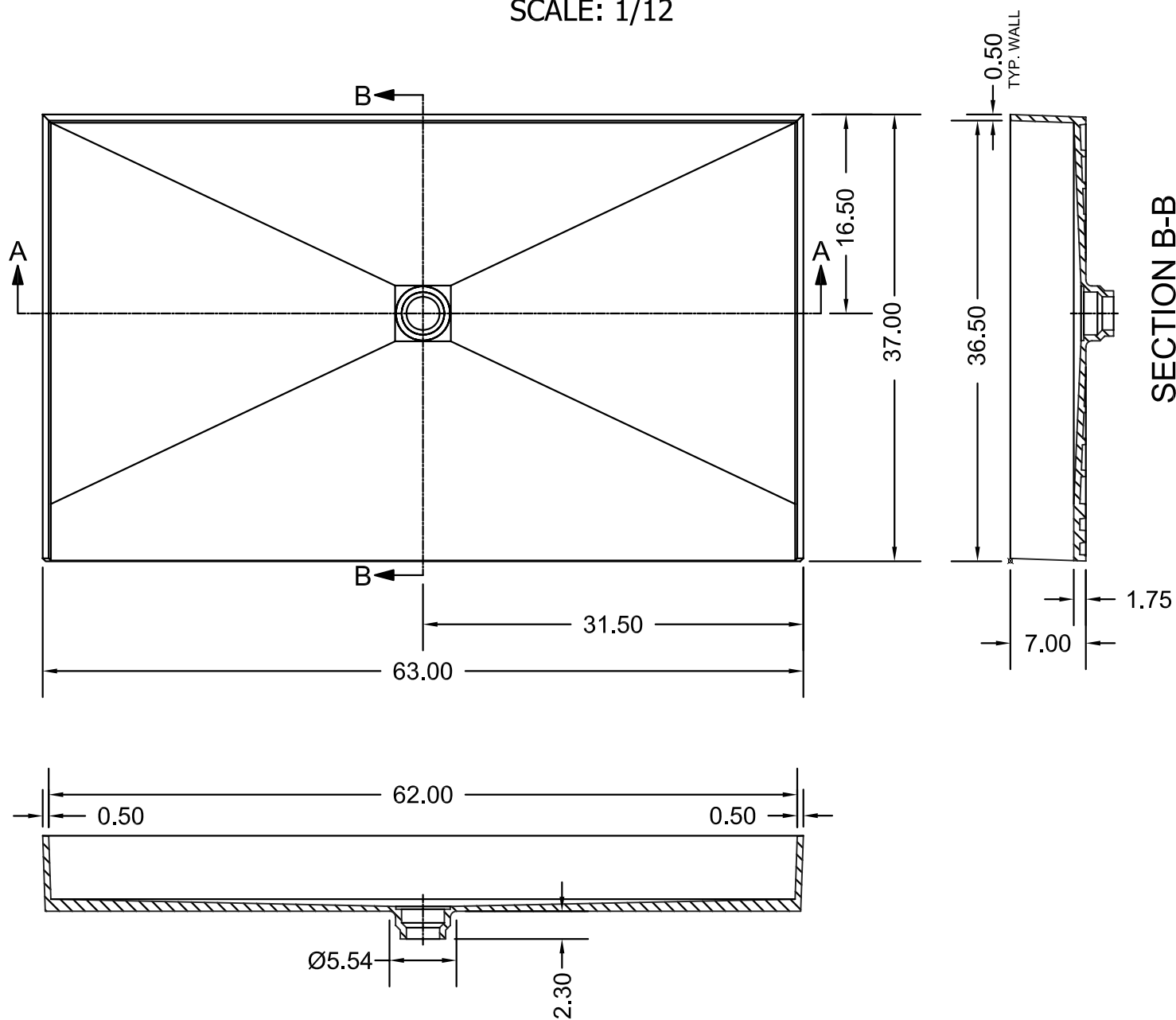


TILE READY[®] Model 3763CBF (37"D x 63"W - Barrier Free 63" side - Center Drain)

SCALE: 1/12



Product Features:

- .Integrated 2" PVC drain (adaptable to cast iron and ABS)
- .Integrated curb with structural ribbing
- .6" Splash Walls
- .Floor pre-pitched 1/4" per foot to drain
- .Tile set directly on pan surface
- .No mud setting or hot mopping required
- .Round polished adjustable drain plate (square plates available)

	ANSI Z124.1-95	ASTM F462-79
	ANSI Z124.2-95	B45.0-02
	ICC/ANSI A117.1.98	B45.5-02

Toll Free	800.232.6156	techsupport@tileredi.com
Tel:	954.323.0125	
Fax:	954.344.8064	www.tileredi.com

Perfection through Innovation