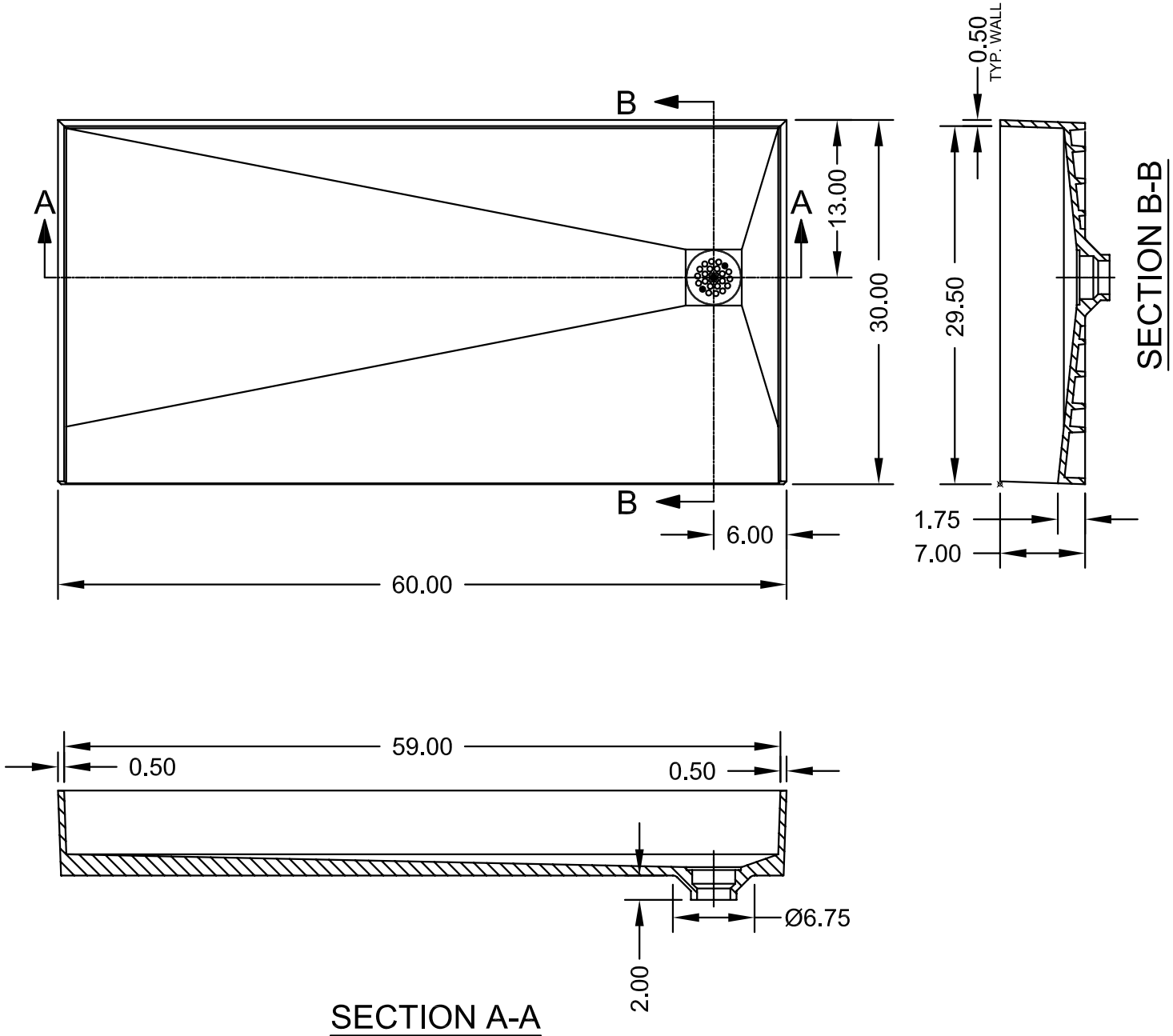


# TILE READY<sup>®</sup> Model 3060RBF (30"D x 60"W - Barrier Free 60" side - Right Drain)

SCALE: 1/12



## Product Features:

- .Integrated 2" PVC drain (adaptable to cast iron and ABS)
- .Integrated curb with structural ribbing
- .6" Splash Walls
- .Floor pre-pitched 1/4" per foot to drain
- .Tile set directly on pan surface
- .No mud setting or hot mopping required
- .Round polished adjustable drain plate (square plates available)

	ANSI Z124.1-95	ASTM F462-79
	ANSI Z124.2-95	B45.0-02
	ICC/ANSI A117.1.98	B45.5-02

Toll Free 800.232.6156 techsupport@tileredi.com  
 Tel: 954.323.0125  
 Fax: 954.344.8064 www.tileredi.com

**tileredi<sup>®</sup>**  
 Perfection through Innovation