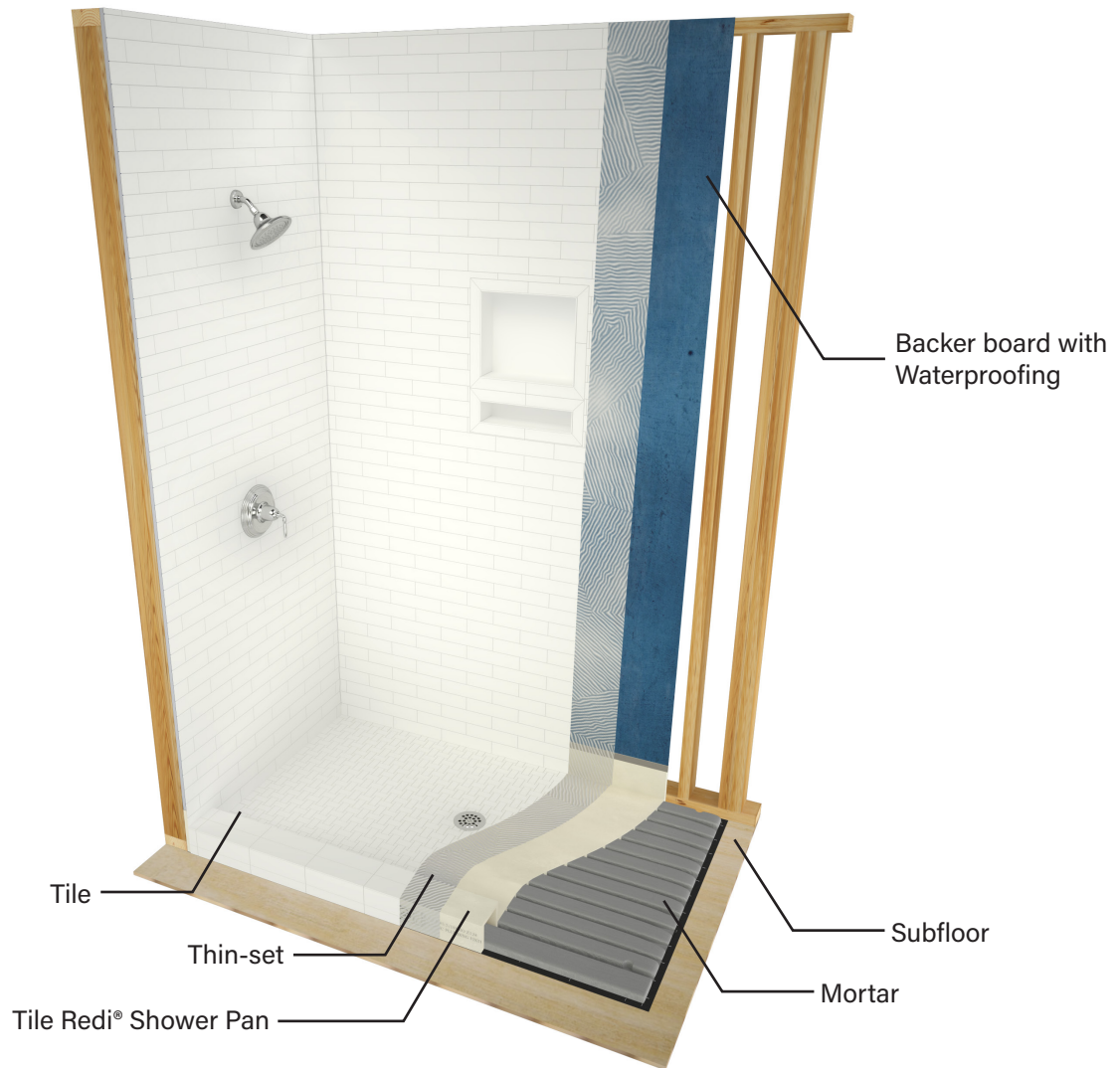


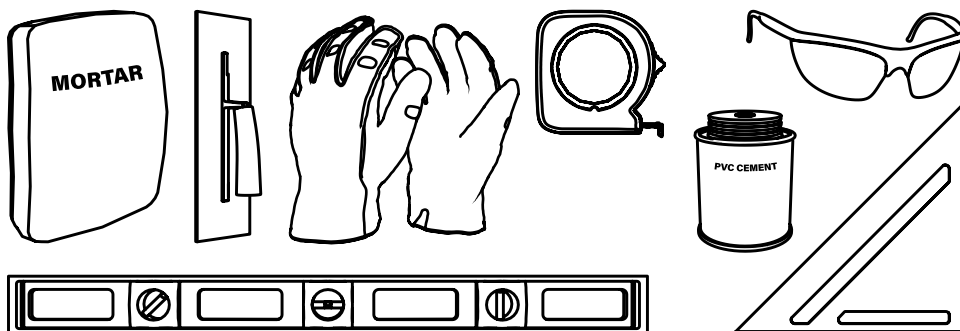
tile redi.

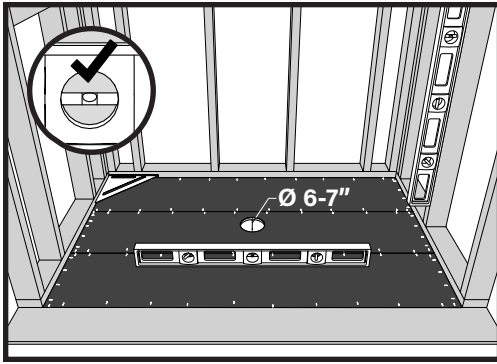
INSTALLATION INSTRUCTIONS

These instructions are exclusively for Tile Redi (yellow shower pans). If you have received a black (Redi Your Way®) shower pan please visit tileredi.com/knowledge-center for the correct instructions.



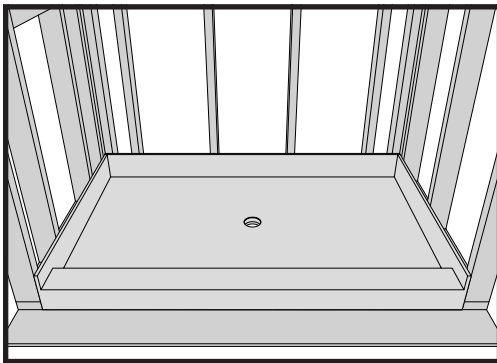
TOOLS REQUIRED





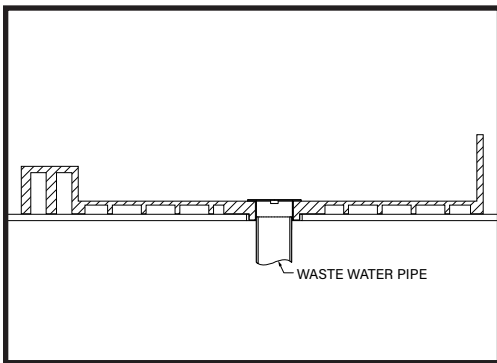
1. Frame out shower stall area to shower pan dimensions. The bore hole needs to be a minimum 6", but not more than 7" diameter opening*. Ensure that the shower pan subfloor is level, and that the walls are level, plumb, and square. Place the square in corners to ensure they are square and straight. All walls and framing must be plumb prior to proceeding. The floor must be level within 3/8". Sweep up any debris from subfloor.

Redi Free Installation: For a proper barrier free pan installation, subfloor must be recessed to the depth of the front lip of pan. Waterproof the seam between shower pan and subfloor with a waterproofing tape and a liquid-applied membrane.



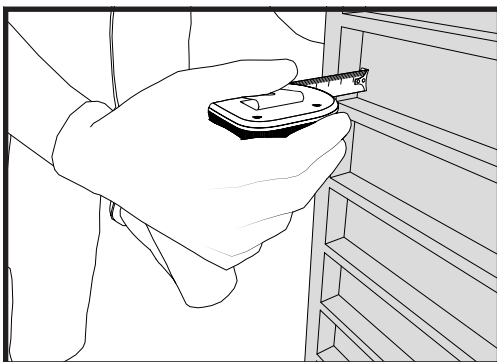
2. To ensure a perfect fit, test fit shower pan drain housing into subfloor bore hole. Make sure the shower pan is aligned properly and fits snugly against the shower frame studs on all sides and corners. Ensure that the pan is level on the floor. There should be no movement or bulge.

DO NOT NAIL OR SCREW INTO THE PAN. DO NOT SAND, CUT, OR MAKE ANY CHANGES/MODIFICATIONS TO THE SURFACE OF THE SHOWER PAN WHATSOEVER.



3. This step depends on whether there is access to the drain connection from below the subfloor:

- a. If there is access from the subfloor below, then cut a section of drain pipe (PVC, as applicable to the type of drain) which is long enough to extend below the subfloor and easily make a connection to the waste water pipe.
- b. If there is no access from the subfloor below, then make sure the drain pipe stubbed up from the subfloor is adjusted to a height sufficient to fit properly into the shower pan drain connection.

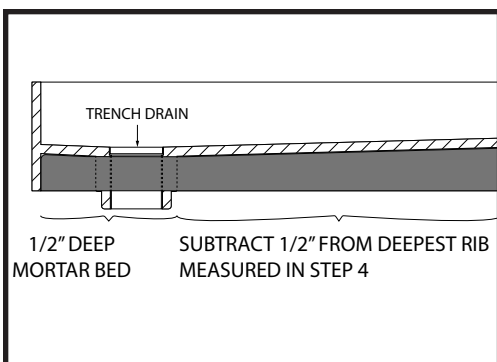


4. Turn the shower pan over and note that there are ribs under the shower pan floor. To calculate the amount of mortar needed, you will need to know the depth of the deepest point in between the ribs. Once you have that value, calculate the thickness (depth) of your mortar base (Type N or S Mortar) using the following formula:

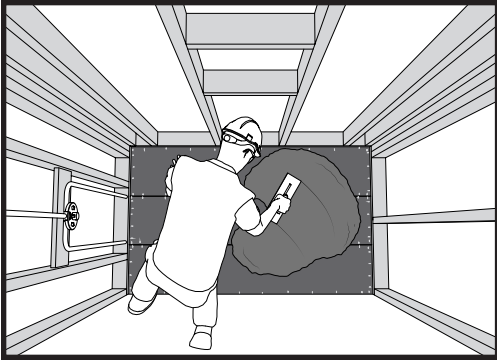
Redi Base® / Redi Free® (Non-Trench) Pans: (Left or Right Drain ONLY)
 Subtract 1/4" from deepest rib measured in Step 4.

Redi Base® / Wonder Drain® / Redi Free® (Non-Trench) Pans (Center Drain ONLY): Subtract 1/8" from deepest rib measured, PROVIDED that the mortar base should always be at least 1/2"

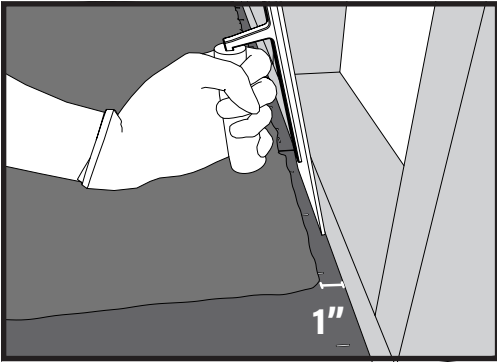
Redi Trench® / WonderFall Trench® / Redi Free® Trench Pans:
 See Step 4 image for mortar thickness for Trench pans.



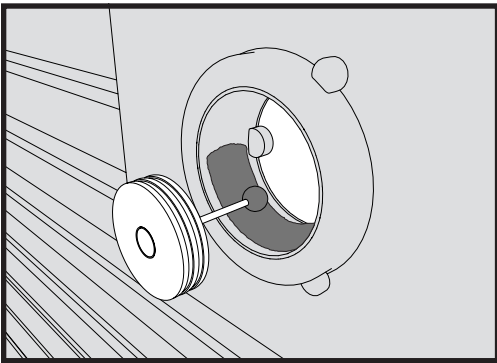
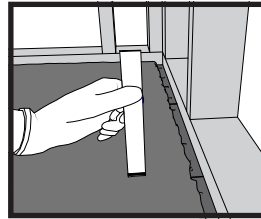
DO NOT PLACE THE MORTAR DIRECTLY ON A WOOD OR GYP-CRETE SUBSTRATE. FIRST, WATERPROOF THE WOOD SUBSTRATE WITH A FLUID APPLIED WATERPROOFING MEMBRANE, OR NO. 15 OR NO. 30 ROOFING PAPER SO THE WOOD DOES NOT ABSORB THE WATER FROM THE MORTAR.



5. Spread your mortar base (should be a milk shake consistency), evenly across the subfloor at the thickness calculated in Step 4.

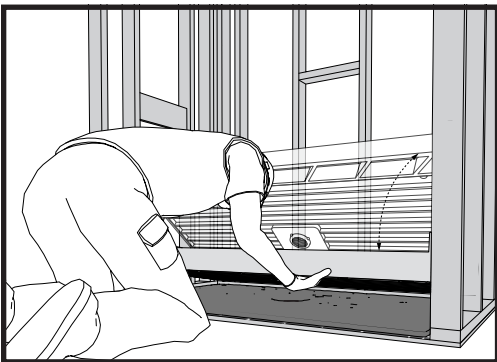


6. Offset the mortar base 1" from each outside edge of the pan with exception of the curb side. Mortar will protrude out from under the curb, run the finishing trowel along curb face to backfill any excess mortar. Mark a line on a shim denoting the distance calculated in Step 4. Use the shim as a depth gauge to verify that the mortar bed is the depth you need.

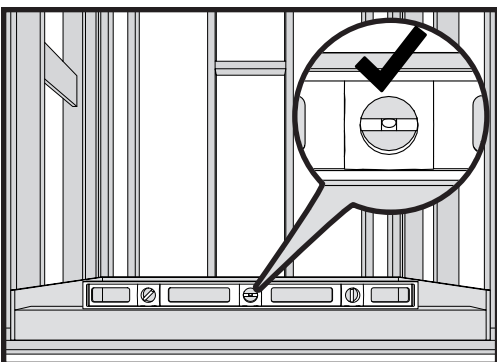
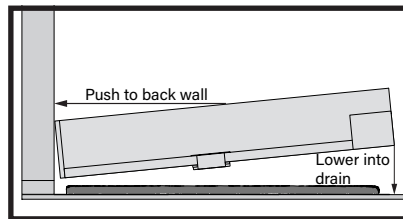


7. If there is access from the subfloor below and you followed Step 3a, then brush PVC adhesive on the inside of the drain and outside of the cut drain pipe and quickly insert into drain connection, then be sure the drain pipe extends far enough below the subfloor so it can be connected to the waste water pipe following the installation.

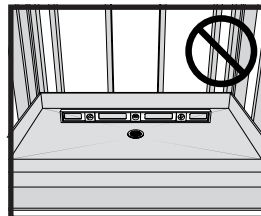
If there is no access from the subfloor below and you followed step 3b, then brush PVC adhesive on the drain pipe stubbed up from the subfloor, then quickly insert the stubbed-up drain pipe properly into the shower pan drain.



8. Place the pan in the mud base and firmly but gently shimmy the pan (applying pressure in drain location first) into the mud so that (i) the drain is fully supported by mud at the bore hole in the substrate, and (ii) the ribs are completely filled with the mud alternately applying hand pressure to the right and left sides of the pan floor until the pan ribs come within 1/8" clearance of the subfloor.



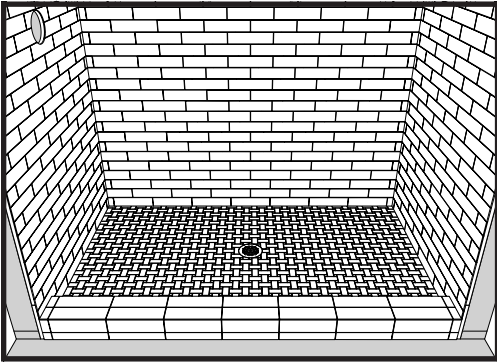
9. Using the level, ensure that the pan is level left to right, and front to back along the splash walls. Also make sure the pan is level left to right along the curb.



DO NOT USE THE INSIDE OF THE PAN AS AN INDICATOR SINCE THE PAN IS PRE-PITCHED. DO NOT STEP INTO THE SHOWER PAN ONCE THE SHOWER PAN HAS BEEN SET AND LEVELED UNTIL THE MORTAR HAS CURED COMPLETELY.



10. Install the shower backer board and water proofing in accordance with the standards established by the Tile Council of North America, Inc. Seal and waterproof joint between backer board and the shower pan splash walls using Redi Flash® or 100% silicone. It is recommended to use a membrane and fluid applied waterproof in addition to the Redi Flash® or 100% silicone. Allow the mortar bed to dry in accordance with the instructions of mortar manufacturer.



11. Adjust the height of the drain as necessary to accommodate the flooring covering. Set your tile using a white modified thin-set and a notched trowel as specified by your thin-set manufacturer based on your tile size. Tile Redi recommends the modified thin-set products found in table below.

Tile the rest of the shower.

Tile Redi Approved Modified Thin-sets		
MAPEI Ultraflex LHT White	MAPEI Large Format Floor and Wall White	CBP Prolite White
MAPEI Ultraflex 1 White	MAPEI Porcelain Tile White	CBP Flexbond White
MAPEI Large Tile and Stone White	MAPEI Ultraflex LFT White	TEC Ultimate 6 Plus 487 White

436 East 36th Street, Charlotte, NC 28205
800.232.6156 | sales@tileredi.com

www.tileredi.com

Tile Redi® trademarks and logos are owned by and the Intellectual Property of Tile Redi, LLC.
©2022 Tile Redi, LLC. All Rights Reserved.

PATENT: www.TileRedi.com/PatentMarkings