

Redi Swing™...Opening Doors to Stunning Showers!™

SERIES: 1000

CONFIGURATION: Door

MOUNTING PACKAGE: Frameless, continuous hinge

FRAMELESS SINGLE SWING SHOWER ENCLOSURE



Tools:

To install your New Shower Enclosure, you may need the following:

- Pencil
- Low Tack Tape
- Tape Measure
- 4' & 6' Levels
- #2 Phillips Screwdriver
- Drill
- 1/8" & 3/16" Drill Bit
- Center Punch
- Files
- Hack Saw
- Caulk Gun
- Clear Silicone Caulk
- Suction Cups

Safety Notes:

- This unit is best installed by two people.
- Handle the glass panels carefully and protect the edges. Safety tempered glass is very resistant to breakage, but the sharp corners of the panels can damage tile and flooring surfaces.
- The glass can break if unequal pressure is applied during installation.
- Please wear safety glasses whenever drilling or cutting. When drilling holes in ceramic tile or marble, use a center punch and hammer to carefully break the glazed surface to prevent skidding when drilling.

NOTE: Tempered glass cannot be cut.

Installation Notes:

- Proper blocking is required for every Heavy Glass unit prior to installation. At minimum 2x4 blocking is required at the location of any structural member of the unit including, but not limited to: hinges, clamps, and header brackets. All fasteners at these locations are required to be installed into the blocking.
- A minimum of 1 1/4" thread engagement is required of all fasteners into the blocking at these locations. Depending on the application the customer maybe required to supply the proper fasteners to ensure adequate engagement.
- U-Channel maybe installed using wall plugs where no backing is found.
- Use caution to not pierce plumbing or electric lines while installing door hardware.
- Cover the drain with tape prior to installation to prevent loss of small parts.
- Unpack your unit carefully and inspect for freight damage. Lay out and identify all parts using the instruction sheet as a reference. Before discarding the carton, check to see that no small hardware parts have fallen to the bottom of the box. If any parts are damaged or missing, refer to the description noted in the instructions when contacting your dealer for replacements.

Maintenance:

Caring for Redi Clear™ Treated Glass

In order to maintain your ten year warranty, please follow these care instructions:

Once or twice a week, wipe down your shower door to remove body oils, soaps and shampoos from the surfaces. The glass should be cleaned every few weeks using a damp microfiber cloth and a mild detergent or soap to remove any soap scum and grime from the glass. Do not use paper towels or any abrasive tool to clean the surface. The sealed surface is warranted with regular maintenance and without the use of any harsh chemicals or detergents.

Caring for Non-Treated Glass

After each use, rinse with water and wipe down your enclosure with a soft cloth/towel or squeegee to maintain that like-new look. The glass should be regularly cleaned using a damp microfiber cloth and a mild detergent or cleaner to remove any soap scum and grime from the glass. We recommend Lysol Bathroom Cleaner as safe for shower doors, but please test any commercial cleaning solutions on an inconspicuous area before applying to the entire enclosure. Be sure to rinse all surfaces completely and wipe dry. Never use any abrasive material or harsh chemicals to clean surfaces and do not allow cleaners to soak on surfaces.

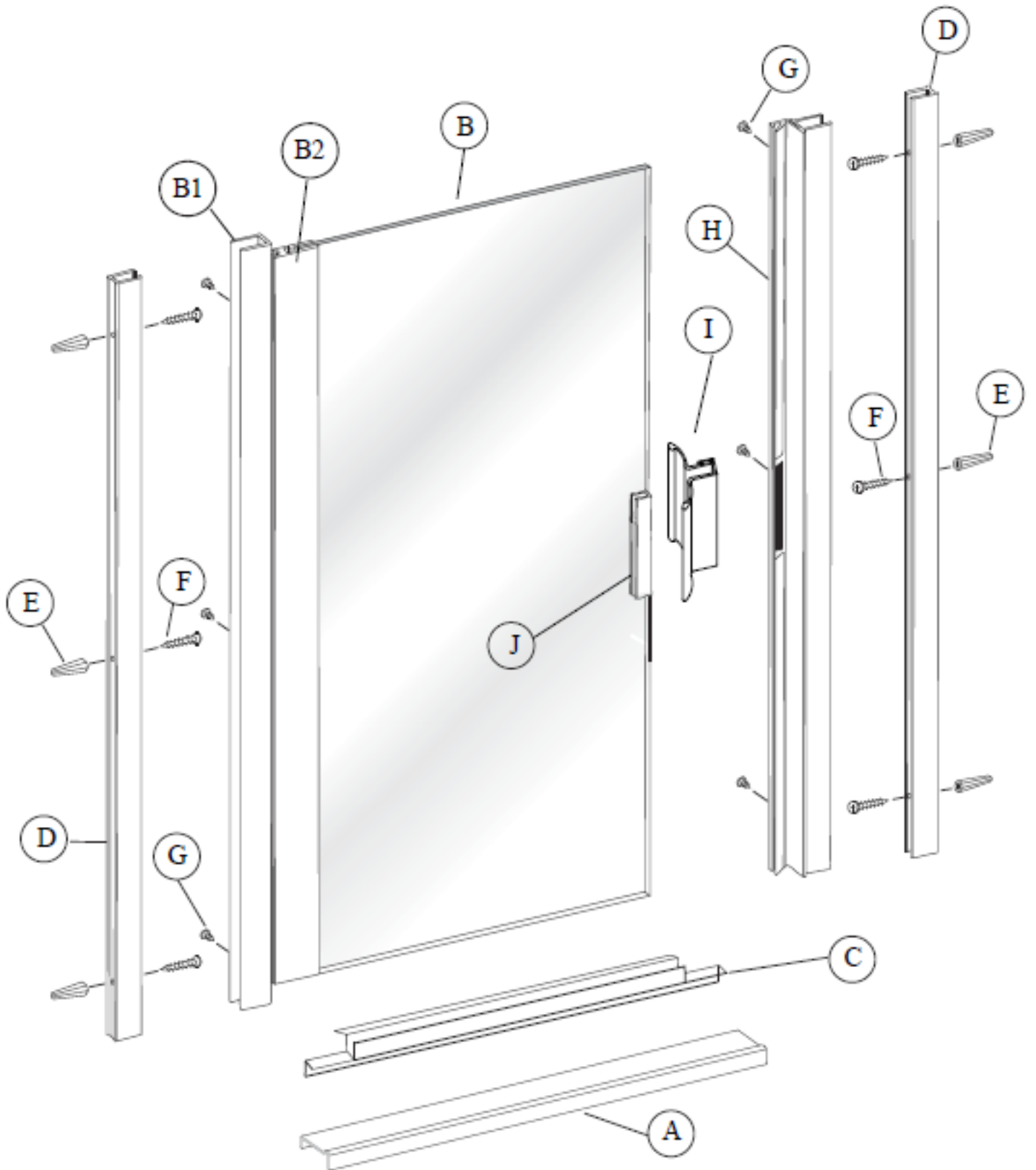
PARTS LIST

ITEM	DESCRIPTION	QTY.
A	Shower Curb	1
B	Glazed Door Panel Assembly	1
B1	Continuous Hinge Jamb	1
B2	Continuous Hinge Rail	1
C	Clear Bottom Sweep	1
D	Wall Jamb	2
E	Pastic Wall Anchors	6
F	#8 x 1 1/2" Truss Head Screws	6
G	#6 x 3/8" Tech Screws (Self-tap)	6
H	Strike Jamb w/ Magnet & Vinyl	1
I	Handle	1
J	Handle Vinyl	1

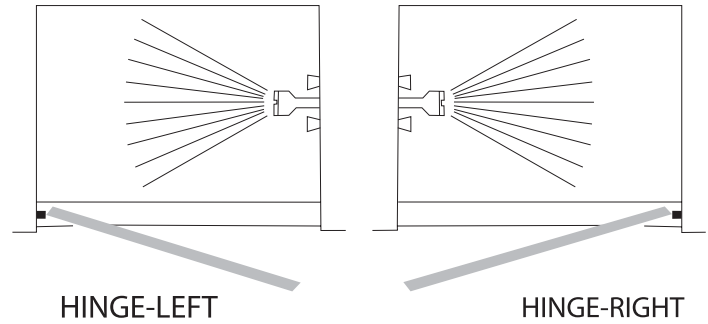
*Quantities may vary.

**Support bar only included if necessary.

EXPLODED VIEW



1 The Continuous Hinge Shower Door is completely reversible and may be installed hinge-right or hinge-left. Refer to the illustration to determine the best hinge position for your installation. For maximum waterproofing, the hinge jamb should always be opposite the shower head. The following instructions depict a hinge-left installation.

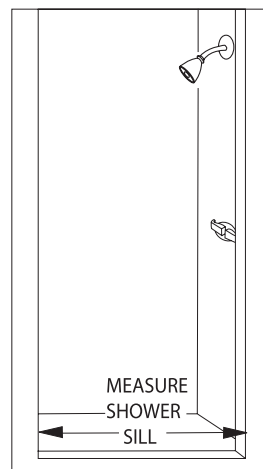


CAUTION: For safety purposes, the door must *always* open outward!

NOTE: To allow for this unit to be reversible, the hinge jamb extends 9/16” beyond both ends of the door panel. Once the hinge-side of the door has been determined (see above), the 9/16” extension can be cut off from the **TOP** only for a more streamlined finished look. (If this is done, don’t forget to cut 9/16” off the top of the longer wall jamb as well).

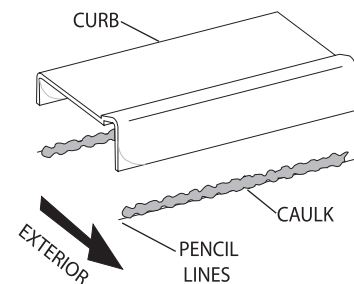
TIP: Temporarily cover the drain on the inside of the shower with some tape or a large piece of cardboard to prevent small screws, drill bits, etc from disappearing.

2 **NOTE:** The shower door may be installed without using the provided sloped curb [A]. It’s use is recommended for positive water control when installed on shower sills with little or no slope.



Measure the finished wall to wall opening at the shower sill and cut the curb to that exact length. File the ends of the curb as necessary to fit the corners of the opening. Place the curb on the shower sill, with the **RAISED** side to the exterior of the enclosure. Make sure the curb is centered on the sill and lightly mark its’ position, both inside and out, on the sill with a pencil.

Remove the curb from the sill and run two beads of silicone inside of the pencil marks on the shower sill. Place the curb back in the exact same position as marked. Use a few pieces of tape, placed over the curb from inside to outside, to hold the curb in place during the remainder of the installation.



3 **NOTE:** Wall jambs for this unit are different lengths. Be sure to use the **longer** wall jamb on the designated **hinge** side.

Place the **longer** wall jamb **[D]** against the **hinge** side wall with the bottom end $3/16''$ for the start of the raised lip on the curb (see illustration). Plumb the wall jamb with a level and mark the three hole locations on the wall. Repeat using the *shorter* wall jamb on the *strike* side wall.

Set the wall jambs to the side and drill the holes for the mounting hardware.

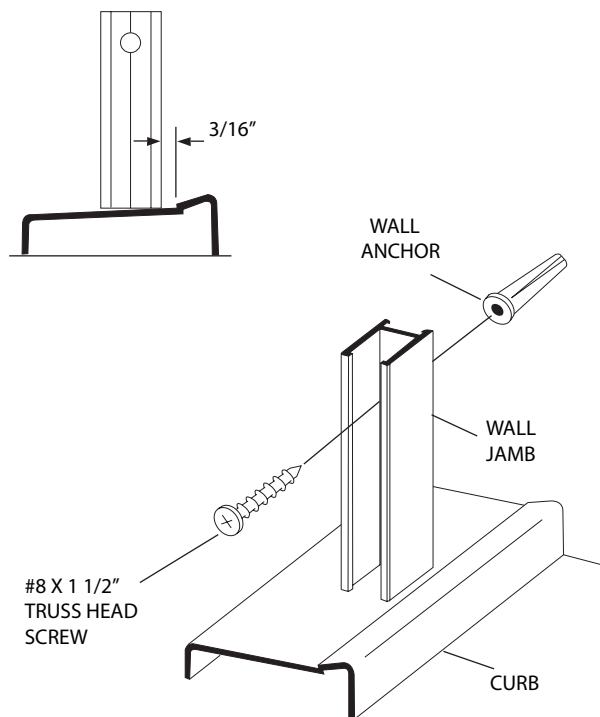
Tile or marble walls:

Drill $3/16''$ diameter holes into the walls and insert the plastic wall anchors **[E]**.

Fiberglass or acrylic units can be done two different ways. If the walls are not reinforced, drill $3/16''$ diameter holes and insert the plastic wall anchors. (Toggle bolts may be used instead but they are not provided).

If the walls are reinforced, only drill $1/8''$ diameter holes.

Attach the correct wall jamb to each wall using the #8 x 1 1/2'' truss head screw **[F]**.



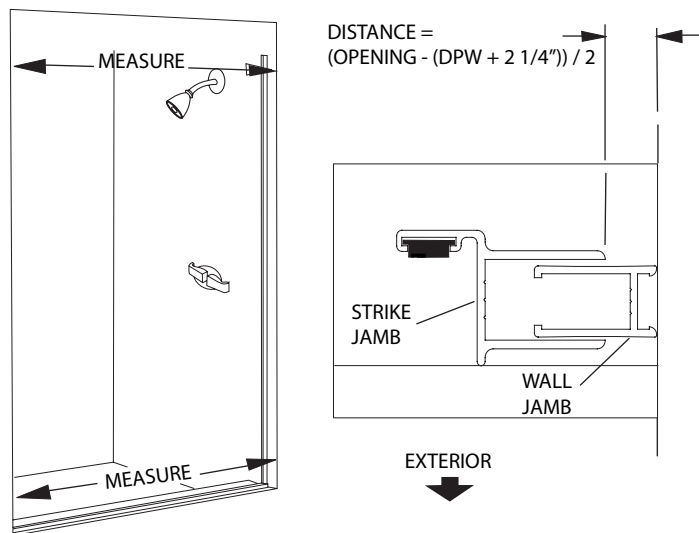
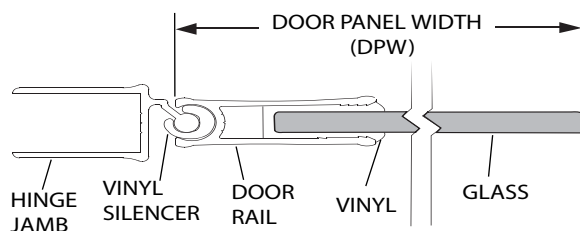
4 Measure the finished wall-to-wall opening at the top and bottom of the wall jambs. Note the smaller dimension (see bottom left illustration).

Measure the width of the door panel **[B]** from the outside edge of the door rail to the edge of the glass on the strike side (see top illustration).

Add $2\ 1/4''$ to the door panel width. Then subtract that total from the minimum wall-to-wall opening dimension. Then divide that number by two.

This should be the distance from the wall to the closest part of the strike jamb at the narrowest point of the opening (see bottom right illustration).

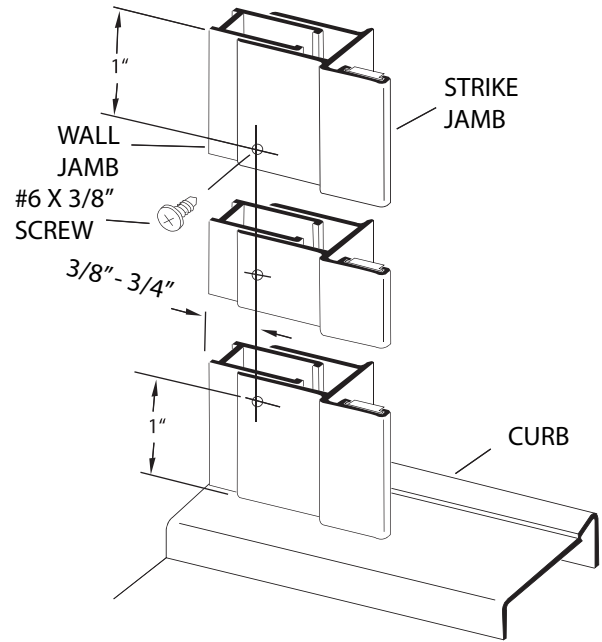
Plumb the strike jamb with a level and mark its' location on the wall jamb with a pencil.



5 Inside the shower enclosure, using the pencil marks on the wall jambs from the previous step, drill two 1/8" holes through the strike jamb [H] and into the wall jamb [D] 3/8" to 3/4" from the wall and approximately 1" down from the top and up from the bottom of the strike jamb. Drill a third hole centered between the first two.

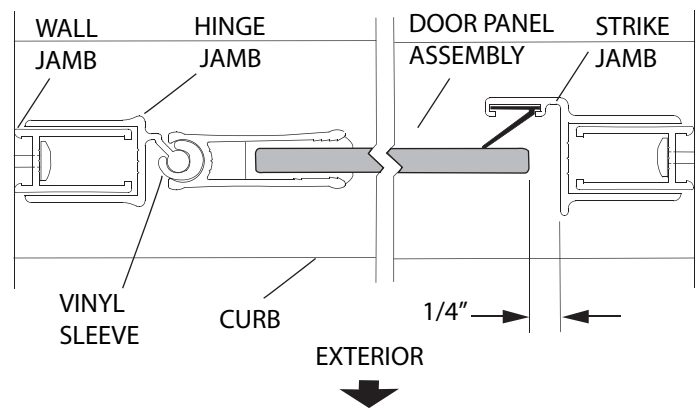
Remove the strike jamb and enlarge the three holes in the *strike jamb only* to allow clearance for the screws.

Attach the strike jamb permanently with three #6 x 3/8" pan head screws [G].



6 Slide the Hinge Jamb of the door panel assembly [B] over the mounted wall jamb so the door will open outward. Adjust the door panel assembly so there is a 1/4" clearance between the strike jamb and the strike edge of the glass door with it being in the closed position.

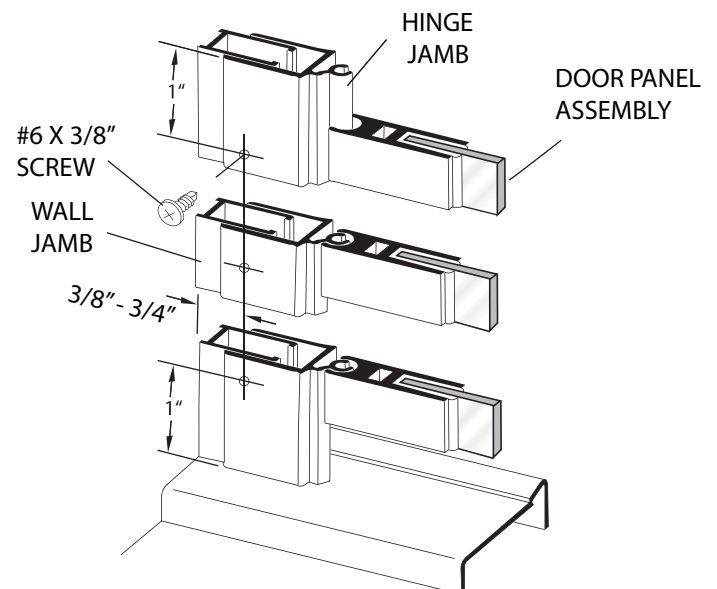
Mark the location of the hinge jamb on the wall jamb with a pencil.



7 Inside the shower enclosure, using the pencil marks on the wall jambs from the previous step, drill two 1/8" holes through the hinge jamb of the door panel assembly and into the wall jamb 3/8" to 3/4" from the wall and approximately 1" down from the top and up from the bottom of the hinge jamb. Drill a third hole centered between the first two.

Remove the door panel assembly and enlarge the three holes in the *hinge jamb only* to allow clearance for the screws.

Attach the door panel assembly permanently with three #6 x 3/8" pan head screws.

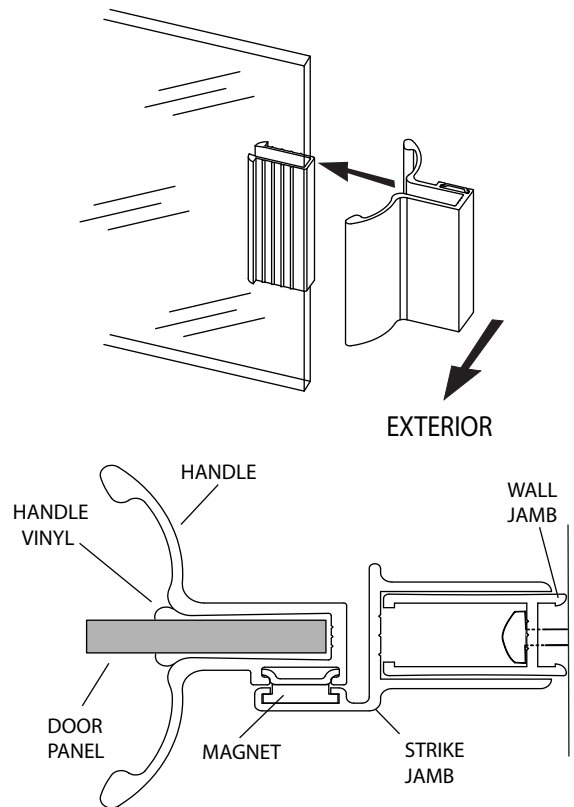


8 Slide the door handle [I] onto the strike side of the door panel. Close the door and slide the handle up and down until the magnet and strike plate are aligned. Use a pencil and/or masking tape to mark the location of the handle on the door.

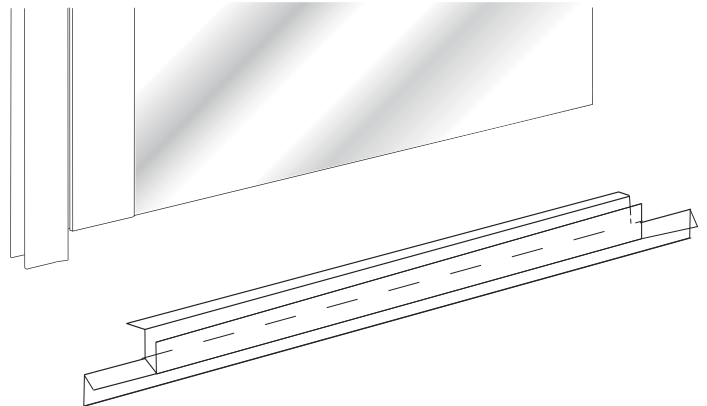
Place the vinyl material [J] over the strike edge of the door and carefully drive the handle onto the door panel using a rubber or plastic mallet.

Close the door and check for proper operation of the handle and magnet. (If adjustment is needed, use a rubber or plastic mallet and a wood block and lightly tap into place). Trim the excess vinyl off with a utility knife.

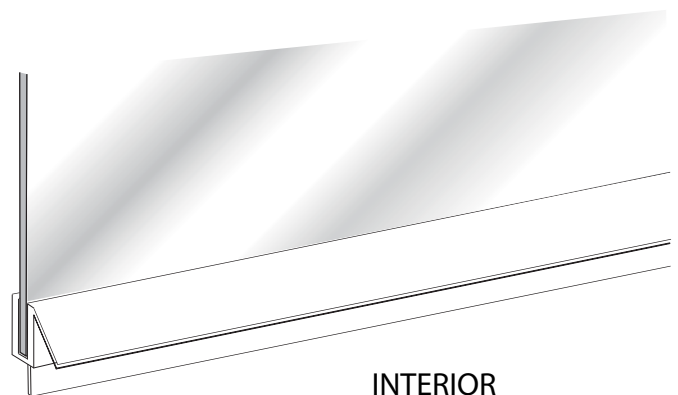
NOTE: NEVER hit the door latch with a metal hammer!!



9 **NOTE:** The clear bottom sweep [C] is notched on both ends. For installation, determine if the door is hinge right or hinge left.



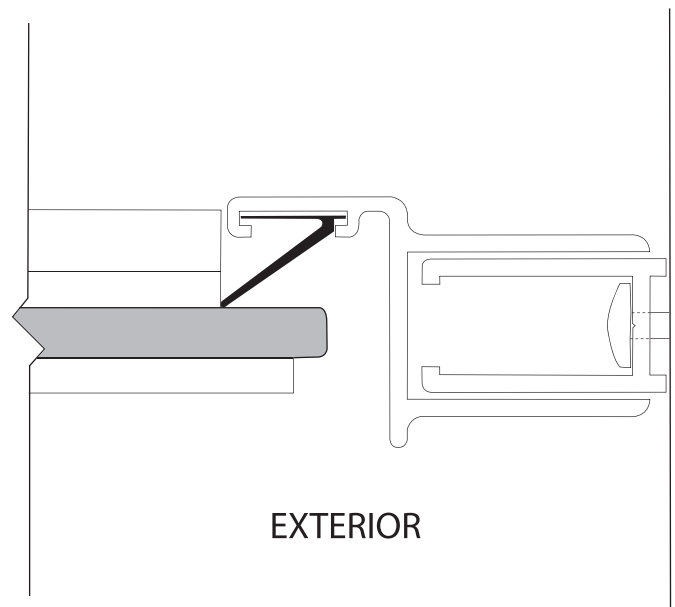
10 Align the clear bottom sweep to the bottom of the door with the deflector lip on the inside of the shower door. Mark the strike side of the bottom sweep even with the strike edge of the door. Cut the sweep leaving the notched part under the metal rail.



11 Place the sweep onto the bottom of the door. Stand inside the shower, close the door and mark the deflector part of the sweep at the inside edge of the strike jamb.

Open the door and remove the sweep. Notch the inside portion of the sweep so the door glass will close tightly to the strike jamb vinyl.

Place the sweep back on the door and check for clearance.



12 Carefully silicone the seam between the wall and the wall jamb as well as the curb and threshold on the inside of the shower.

NOTE: Silicone on the exterior seam is optional.

DO NOT USE the shower until the silicone is completely cured. Check the tube of silicone for the manufacturer recommended cure time. (typically 24 - 48 hours)

